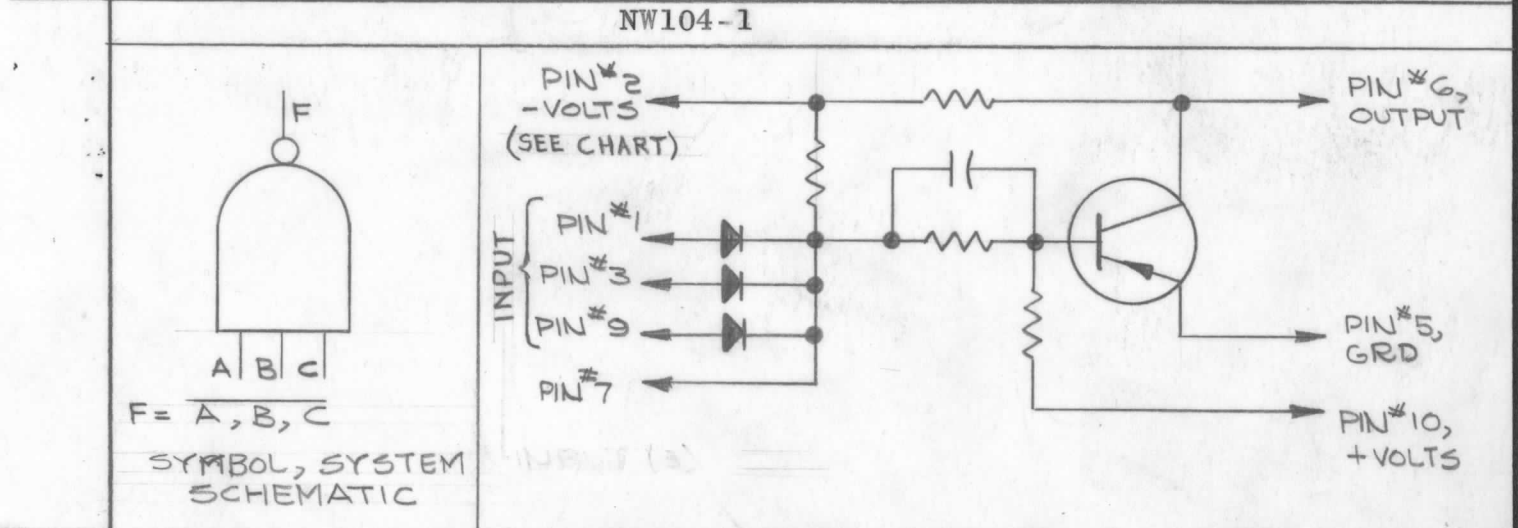
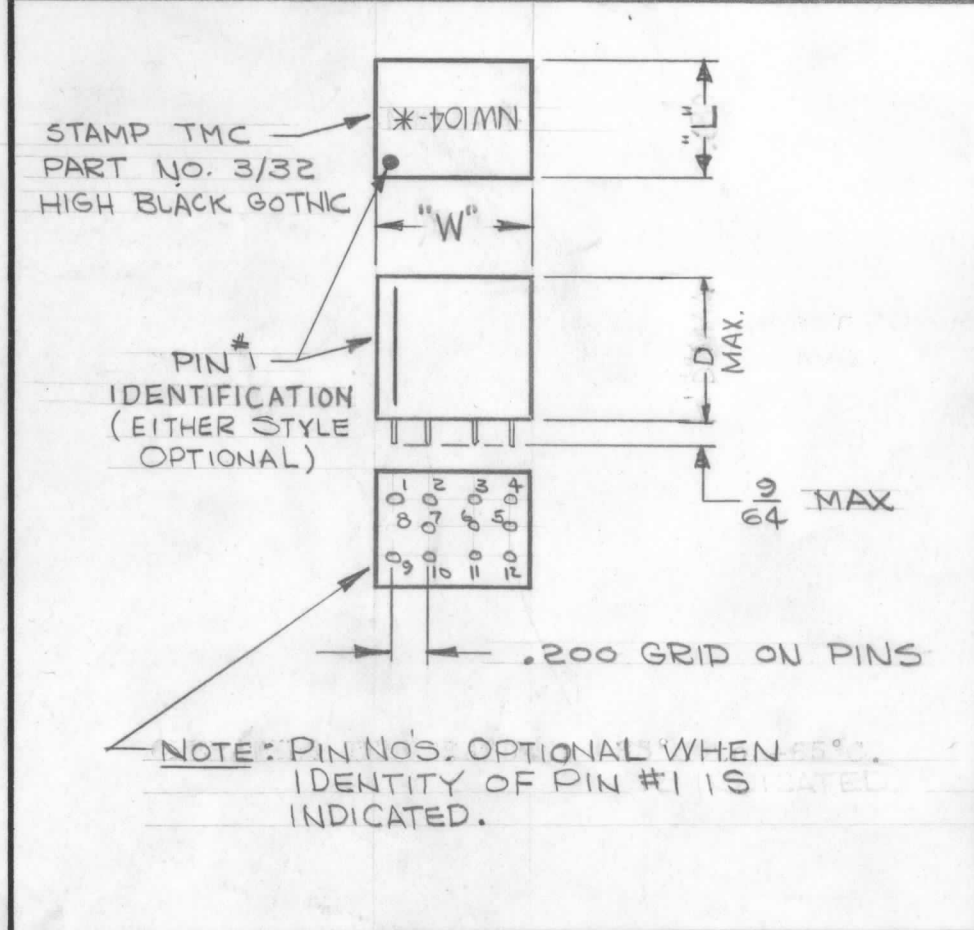


TMC PART NUMBER	MFG. PART NUMBER	MFG. TYPE NUMBER	SWITCHING CHAR.	INPUTS	SIZES			OPERATING TEMPERATURE
					"W"	"L"	"D"	
NW104-1	730B0054	NA11-1	A or B	3	.800	.630	.770	-35°C TO +65°C
NW104-2	730B0060	NA11-2	A or B	6	.800	.630	.770	-35°C TO +65°C
NW104-21	730B0054	NA11-1-B	A OR B	3	.800	.630	.460	-35°C TO +85°C
NW104-22	730B0054	NA11-2-B	A OR B	6	.800	.630	.460	-35°C TO +85°C

REVISIONS						
SYM	DESCRIPTION	DATE	E.M.N. NO.	DRAFT	CHKD	APPD
X	EXPER. RELEASE	12-18-64	X			
X1	INPUT CALLOUT ADDED TO SCHEMATIC	12-29-64	X1			
Ø	ORIGINAL RELEASE FOR PRODUCTION	1-14-65	Ø			
A	NW104-21 & 22 ADDED. NOTE 2 DELETED	6-29-65	14367	REV.		FE
B	REV SYMBOL ERROR	8/12/65				MM
C	REVISED PICTORIAL	5-2-66	16184	H.A.		FE
D	460 DIM'S WERE .375 & MAX. ADDED TO "D" DIM	9/11/67	18484	H.G.		FE



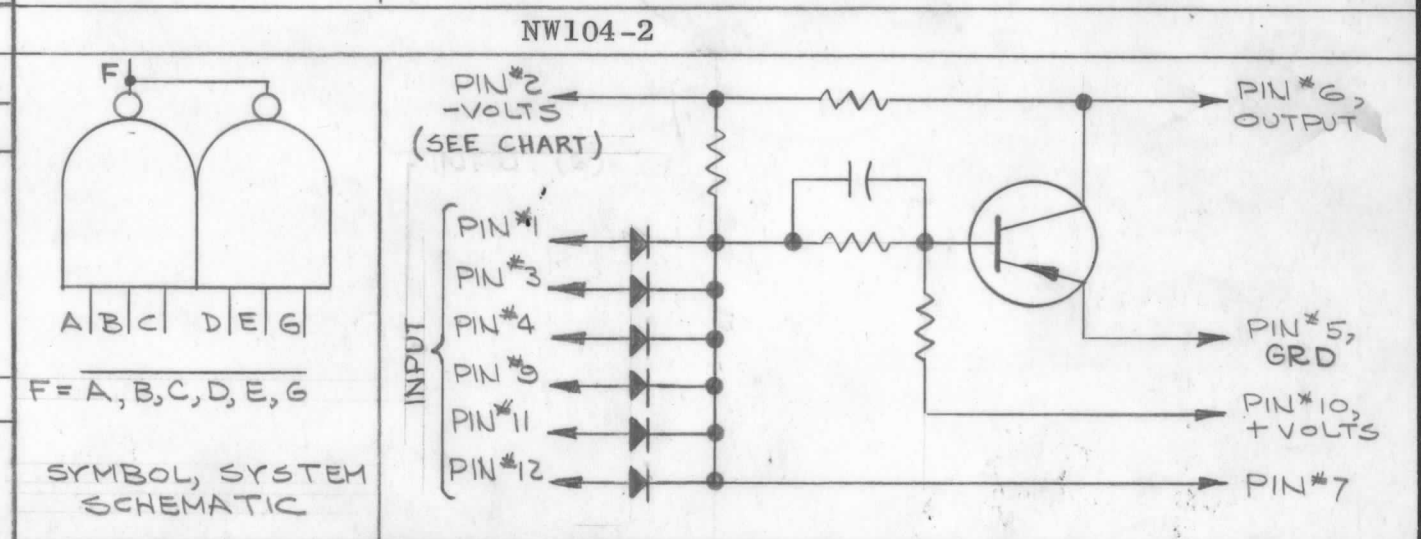
POLARIZING PIN IS PIN #8



SWITCHING CHARACTERISTICS	
A-6 VOLTS LOGIC	B-12 VOLTS LOGIC
INPUT	INPUT
AMPLITUDE, -3.5V TR UP TO 3µ sec TF UP TO 3µ sec	AMPLITUDE, -6V MIN. TR UP TO 3µ sec TF UP TO 3µ sec
OUTPUT	OUTPUT
AMPLITUDE, -6V TR LESS THAN .15µ sec TF LESS THAN .5µ sec	AMPLITUDE, -12V TR LESS THAN .15µ sec TF LESS THAN .5µ sec

NOTE:
1- USABLE WITH NEGATIVE OR POSITIVE LOGIC.

Q'TY./UNIT	MODEL USED ON	ASS'Y. NO.
SCALE 1:1	CODE C	5401-167



REQ'D.	ITEM	PART NUMBER	DESCRIPTION	SYMBOL
EATON LIST OF MATERIAL				
MATERIAL		EPOXY (BLUE)		
FINISH		BLUE		
MATERIAL		THE TECHNICAL MATERIEL CORP. MAMARONECK, NEW YORK		
FINISH		NETWORK, DIGITAL HAND GATE AMPLIFIER		
DRAWN	DATE	FINAL APPROVAL	DATE	
Checked @	12-18-64	RAC	1-13-65	
ELECT. DES.	DATE	NW104		D
MECH. DES.	DATE	SHEET		REV. LTR.
	1-13-65			

NOTES

THE CONTENTS OF THIS DRAWING ARE THE EXCLUSIVE PROPERTY OF THE TECHNICAL MATERIEL CORP. ITS UNAUTHORIZED USE OR REPRODUCTION IN WHOLE OR IN PART IS STRICTLY FORBIDDEN.

DECIMALS
.X ± .05
.XX ± .01
.XXX ± .005

TOLERANCES

FRACTIONS
± 1/64
ANGLES
± 0° 30'

UNLESS OTHERWISE SPECIFIED DIMENSIONS ARE IN INCHES AND INCLUDE CHEMICALLY APPLIED OR PLATED FINISHES