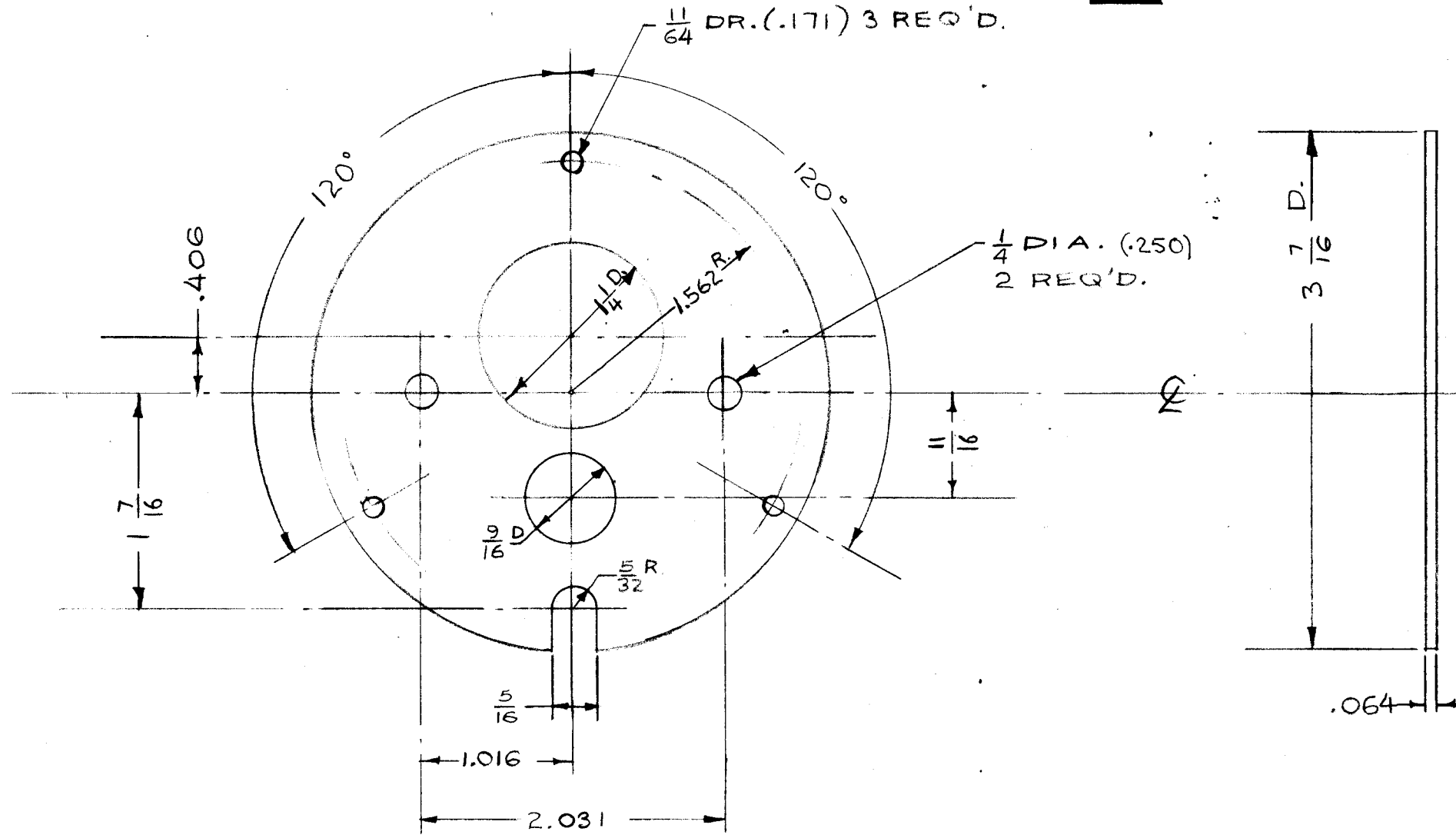


IF IT IS FOUND DESIRABLE TO CHANGE ANY TOLERANCE OR OTHER DETAIL SPECIFIED ON THIS DRAWING NOTIFY THE PURCHASER PROMPTLY.

MAXIMUM ALLOWABLE TOLERANCES HAVE BEEN DETERMINED AND DEVIATIONS WILL BE CAUSE FOR REJECTION. REMOVE ALL BURRS AND SHARP EDGES

RELEASED

PM-167



NOTICE TO PERSONS RECEIVING THIS DRAWING

THE TECHNICAL MATERIEL CORPORATION claims proprietary right in the material disclosed hereon. This drawing is issued in confidence for engineering information only and may not be reproduced or used to manufacture anything shown hereon without permission from THE TECHNICAL MATERIEL CORPORATION to the user. This drawing is loaned for mutual assistance and is subject to recall at any time.

Property of:
THE TECHNICAL MATERIEL CORPORATION
MAMARONECK, NEW YORK

REQ.	ITEM	PART NO.	DESCRIPTION	SYMBOL
		.064 THK.	THE TECHNICAL MATERIEL CORP.	
		STOCK SIZE	MAMARONECK. NEW YORK	
	ALUMINUM	ff	MOTOR SUPPORT	
	MATERIAL	WEIGHT PER PC.		
	52S-H32			
	TYPE & TEMPER		11-21-52	
	HEAT TREAT. SPEC.		DRAWN	ELEC. DES. APP.
			12-15-52	MECH. DES. APP.
	(S-120) BLACK ANODIZE		CHECKED	FINAL APPROVAL
	FINISH & SPEC. NO.			PM-167

ISSUE	ITEM	CHANGED FROM	DATE	CN. NO.	DRAFTS	CHECKER	ENG. APP.
		ORIGINAL RELEASE	11/16/52				

TOLERANCES: DEC. DIM. ± .005, FRAC. DIM. ± 1/64, ANGULAR DIM. ± 1°

SCALE: $\frac{1}{16}$

DRILL, PUNCH, COMMERCIAL STOCK SIZES AND MANUFACTURERS TOLERANCES ARE NOT INCLUDED.

CK-2	168	A-267	11-21-52
MODEL	PROJECT NO.	ASS'Y. NO.	DATE

USED ON