

IF IT IS FOUND DESIRABLE TO CHANGE ANY TOLERANCE OR OTHER DETAIL SPECIFIED ON THIS DRAWING NOTIFY THE PURCHASER PROMPTLY.

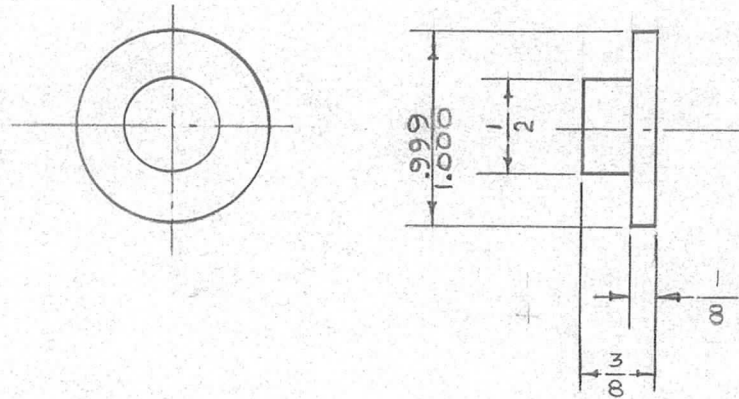
RELEASED

PN-104

MAXIMUM ALLOWABLE TOLERANCES HAVE BEEN DETERMINED AND DEVIATIONS WILL BE CAUSE FOR REJECTION. REMOVE ALL BURRS AND SHARP EDGES

USED ON

| MODEL   | PROJECT NO. | ASS'Y. NO. | DATE     |
|---------|-------------|------------|----------|
| TWR-115 | 151         | A-219      | 10-16-52 |



| REQ. | ITEM | PART NO.            | DESCRIPTION  | SYMBOL                          |
|------|------|---------------------|--|---------------------------------|
|      |      | 1" DIA.             | THE TECHNICAL MATERIEL CORP.<br>MAMARONECK. NEW YORK |                                 |
|      |      | STOCK SIZE          |  |                                 |
|      |      | ALUMINUM            | BOSS PIN   |                                 |
|      |      | MATERIAL            |  |                                 |
|      |      | 115-T3              |  |                                 |
|      |      | TYPE & TEMPER       | 16 10-16-52  |                                 |
|      |      | — ff —              | DRAWN  | ELEC. DES. APP. MECH. DES. APP. |
|      |      | HEAT TREAT. SPEC.   | 11/17/52   |                                 |
|      |      | CAUSTIC DIP (S-101) | CHECKED  | FINAL APPROVAL                  |
|      |      | FINISH & SPEC. NO.  |  | PN-104                          |

| ISSUE      | ITEM | CHANGED FROM  | DATE | CN. NO. | DRAFTS | CHECKER | ENG. APP. |
|------------|------|---|------|---------|--------|---------|-----------|
| ALL OTHERS |      | DEC. DIM. ± .005<br>FRAC. DIM. ± 1/64<br>ANGULAR DIM. ± |      |         |        |         |           |

SCALE FULL SIZE  
DRILL, PUNCH, COMMERCIAL STOCK SIZES AND MANUFACTURERS TOLERANCES ARE NOT INCLUDED.

IF IT IS FOUND DESIRABLE TO CHANGE ANY TOLERANCE OR OTHER DETAIL SPECIFIED ON THIS DRAWING NOTIFY THE PURCHASER PROMPTLY.

PN-104

MAXIMUM ALLOWABLE TOLERANCES HAVE BEEN DETERMINED AND DEVIATIONS WILL BE CAUSE FOR REJECTION. REMOVE ALL BURRS AND SHARP EDGES

TWR-115

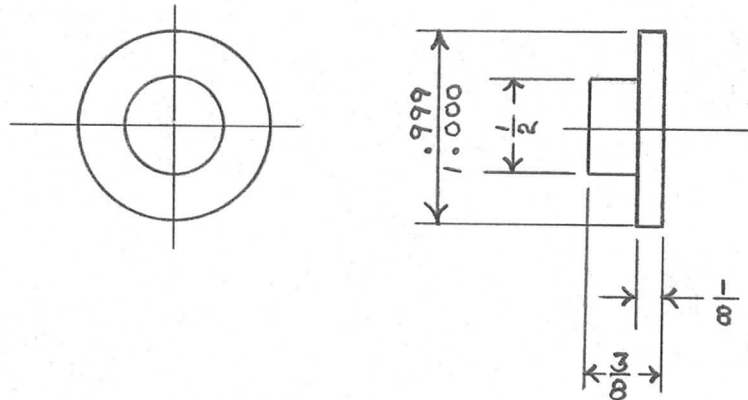
USED ON

MODEL

PROJECT NO.

ASS'Y. NO.

DATE



NOTICE TO PERSONS RECEIVING THIS DRAWING

THE TECHNICAL MATERIEL CORPORATION claims proprietary right in the material disclosed hereon. This drawing is issued in confidence for engineering information only and may not be reproduced or used to manufacture anything shown hereon without permission from THE TECHNICAL MATERIEL CORPORATION to the user. This drawing is loaned for mutual assistance and is subject to recall at any time.

Property of:

THE TECHNICAL MATERIEL CORPORATION  
MAMARONECK, NEW YORK

| REQ. | ITEM | PART NO.             | DESCRIPTION                            | SYMBOL                          |
|------|------|----------------------|--|---------------------------------|
|      |      | 1" DIA.              | TMC (Canada) LIMITED<br>OTTAWA ONTARIO |                                 |
|      |      | STOCK SIZE           |  |                                 |
|      |      | ALUMINUM             | BOSS PIN                               |                                 |
|      |      | MATERIAL             | TAPE WINDING                           |                                 |
|      |      | 115-T3               | RA 6/5/55                              |                                 |
|      |      | TYPE & TEMPER        |  |                                 |
|      |      | H                    | DRAWN                                  | ELEC. DES. APP. MECH. DES. APP. |
|      |      | HEAT TREAT. SPEC.    | Law<br>FINAL APPROVAL                  |                                 |
|      |      | CAUSTIC DIP<br>S-101 |  |                                 |
|      |      | FINISH & SPEC. NO.   | CHECKED                                | PN-104                          |

| ISSUE | ITEM | CHANGED FROM | DATE | CN. NO. | DRAFTS | CHECKER | ENG. APP. |
|-------|------|--------------|------|---------|--------|---------|-----------|
|       |      |              |      |         |        |         |           |

TOLERANCES

SCALE FULL SIZE

ALL OTHERS  
DEC. DIM.  $\pm .005$   
FRAC. DIM.  $\pm 1/64$   
ANGULAR DIM.  $\pm$

DRILL, PUNCH, COMMERCIAL STOCK  
SIZES AND MANUFACTURERS  
TOLERANCES ARE NOT INCLUDED.