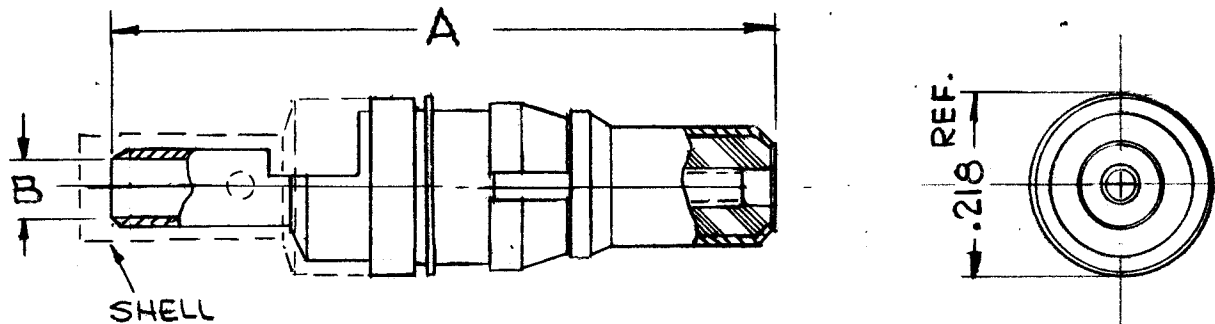


STANDARD DRAWING

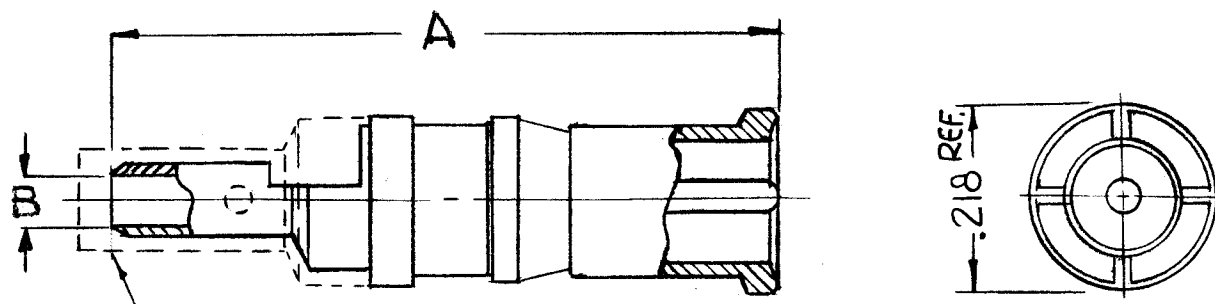
TMC PART NO.	MFG. PART NO.	PIN TYPE	DIMENSIONS		USE CABLE	
			A	B		
PN120-1	DM53742-5001	MALE	.850	.067	RG187/188, RG174/U	RECEPTACLE
PN120-2	DM53740-5001	FEMALE	.850	.067	RG187/188, RG174/U	PLUG

PN120-A

REVISIONS						
SYM	DESCRIPTION	DATE	E.M.N. NO.	DRAFT	CHKD	APPD
X	EXPER. RELEASE	12-11-64		G.D.L.		
X1	RG174/U & SHELL ADDED PICTORIAL REV.	2-27-68		SLG	WJ	WJ
X2	NOTE 1 & 2 ADDED, PICTORIAL REVISED	3/21/68	X2	C.V.	WJ	WJ
Ø	ORIG. RELEASE FOR PROD.	4-16-68		R.G.		WJ
A	REVISED & UPDATED	7-8-68	18995	WJ	WJ	EFM



FEMALE (PLUG)



MALE (RECEPTACLE)

— SPECIFICATIONS —
MATERIAL AND FINISH

COAXIAL CONTACTS:
 OUTER CONTACT: PLUG: BRASS, GOLD PLATED (.00003) OVER SILVER PLATE (.0002). RECEPTACLE: BERYLLIUM COPPER, GOLD PLATED (.00003) OVER SILVER PLATE (.0002).
 CENTER FEMALE CONTACT: PHOSPHOR BRONZE, GOLD PLATED (.00003) OVER SILVER PLATE (.0002)
 CENTER MALE CONTACT: BRASS, GOLD PLATED (.00003) OVER SILVER PLATE (.0002)
 INSULATOR: TEFLON

ELECTRICAL

TEST VOLTAGE CENTER CONDUCTOR TO COAXIAL SHELL: 1000V. @ SEA LEVEL, 600 V. @ 20,000FT.

- NOTE 1 PN120 SERIES CONTACTS AND SOCKETS TO MATE WITH TMC JJ321 CONNECTOR.
 2 INSERTION AND EXTRACTION TOOL REQUIRED #CET-C6B

STANDARD DRAWING

REQ'D.	ITEM	PART NUMBER	DESCRIPTION	SYMBOL
LIST OF MATERIAL				
MATERIAL		THE TECHNICAL MATERIEL CORP. MAMARONECK, NEW YORK		
FINISH		TITLE PIN, CONTACT, ELEC. COAXIAL		
UNLESS OTHERWISE SPECIFIED DIMENSIONS ARE IN INCHES AND INCLUDE CHEMICALLY APPLIED OR PLATED FINISHES		DRAWN G.D.L.	DATE 12-11-64	FINAL APPROVAL WJ EFM
DECIMALS .X ± .05 .XX ± .01 .XXX ± .005		FRACTIONS ± 1/64 ANGLES ± 0° 30'		DATE 2-27-68
TOLERANCES		ELECT. DES. WJ	DATE 4-16-68	DATE
THE CONTENTS OF THIS DRAWING ARE THE EXCLUSIVE PROPERTY OF THE TECHNICAL MATERIEL CORP. ITS UNAUTHORIZED USE OR REPRODUCTION IN WHOLE OR IN PART IS STRICTLY FORBIDDEN.		MECH. DES. WJ	SHEET	REV. LTR.

NOTES

Q'TY./UNIT	MODEL USED ON	ASS'Y. NO.
DO NOT SCALE	VLRC-1 VLRB-1 CODE C	5401-176