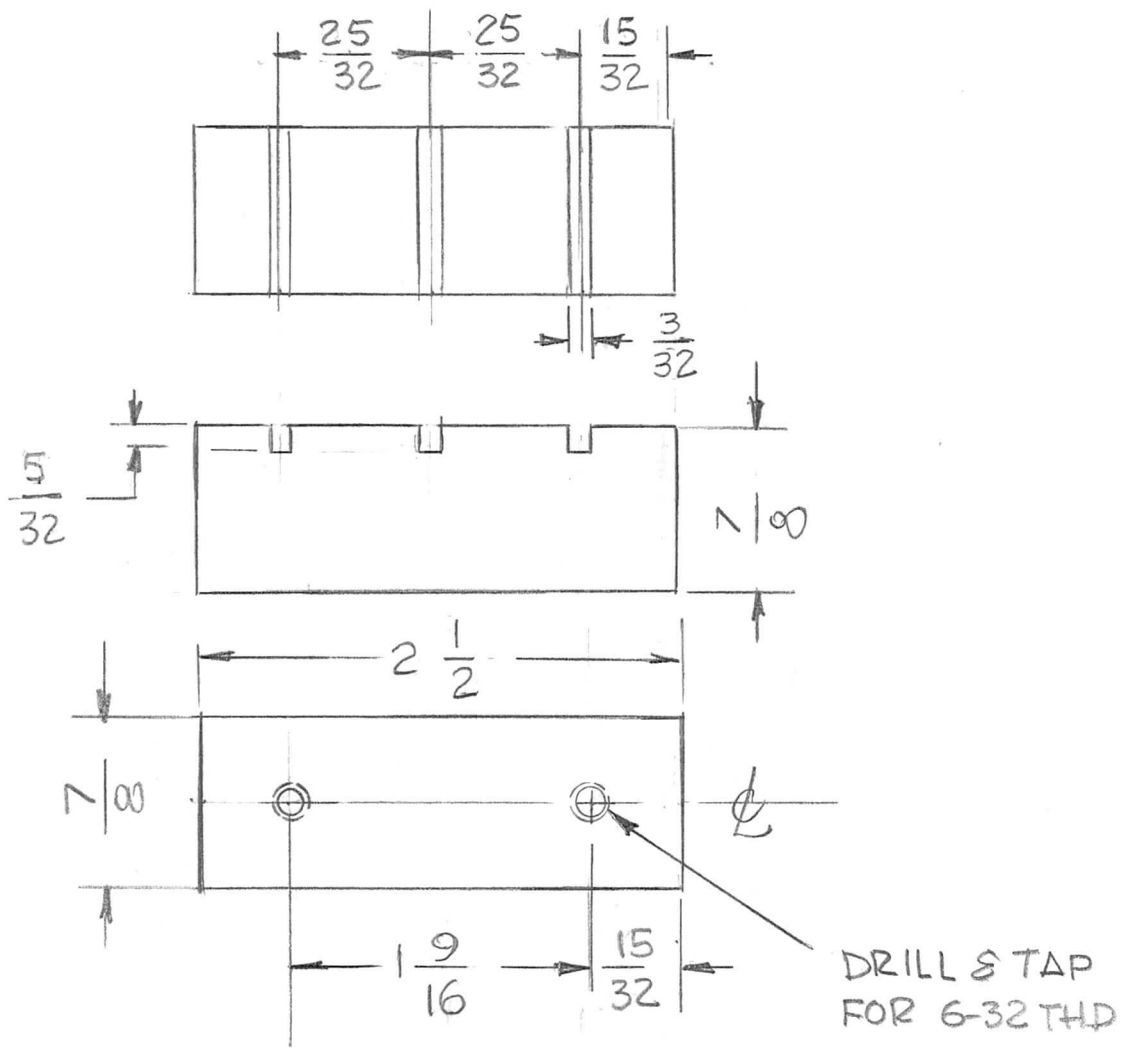


APPLICATION				REVISIONS					
QTY	MODEL USED ON	ASS'Y NO.	LTR	DESCRIPTION	DATE	E.M.N.NO	DRAFT	CHKD	APPD

2 DPC-10 BMS46 XI REDRAWN



UNLESS OTHERWISE SPECIFIED DIMENSIONS ARE IN INCHES AND INCLUDE CHEMICALLY APPLIED OR PLATED FINISHES		REQ'D	ITEM	PART NUMBER	DESCRIPTION	SYM.
DECIMALS .X ± .05 .XX ± .01 .XXX ± .005 FRACTIONS 1/64 ANGLES 0°-30'		LIST OF MATERIAL				
MATERIAL BLACK XXXP PHENOLIC		FINAL APPROVAL	MECH. DES.	DATE	THE TECHNICAL MATERIEL CORP. MAMARONECK, NEW YORK GUIDE, PC BOARD	
FINISH NATURAL		ELECT. DES.	CHECKED	DATE		
		DRAWN	G.D.L.	DATE		
				3-29-78		

NOTICE TO PERSONS RECEIVING THIS DRAWING THE TECHNICAL MATERIEL CORPORATION claims proprietary right in the material disclosed hereon. This drawing is issued in confidence for engineering information only and may not be reproduced or used to manufacture anything shown hereon without permission from THE TECHNICAL MATERIEL CORPORATION to the user. This drawing is loaned for mutual assistance and is subject to recall at any time.				SIZE A	CODE IDENT. NO. 82679	DWG NO. DX 1260	ISSUE XI
SCALE				SHEET		OF	