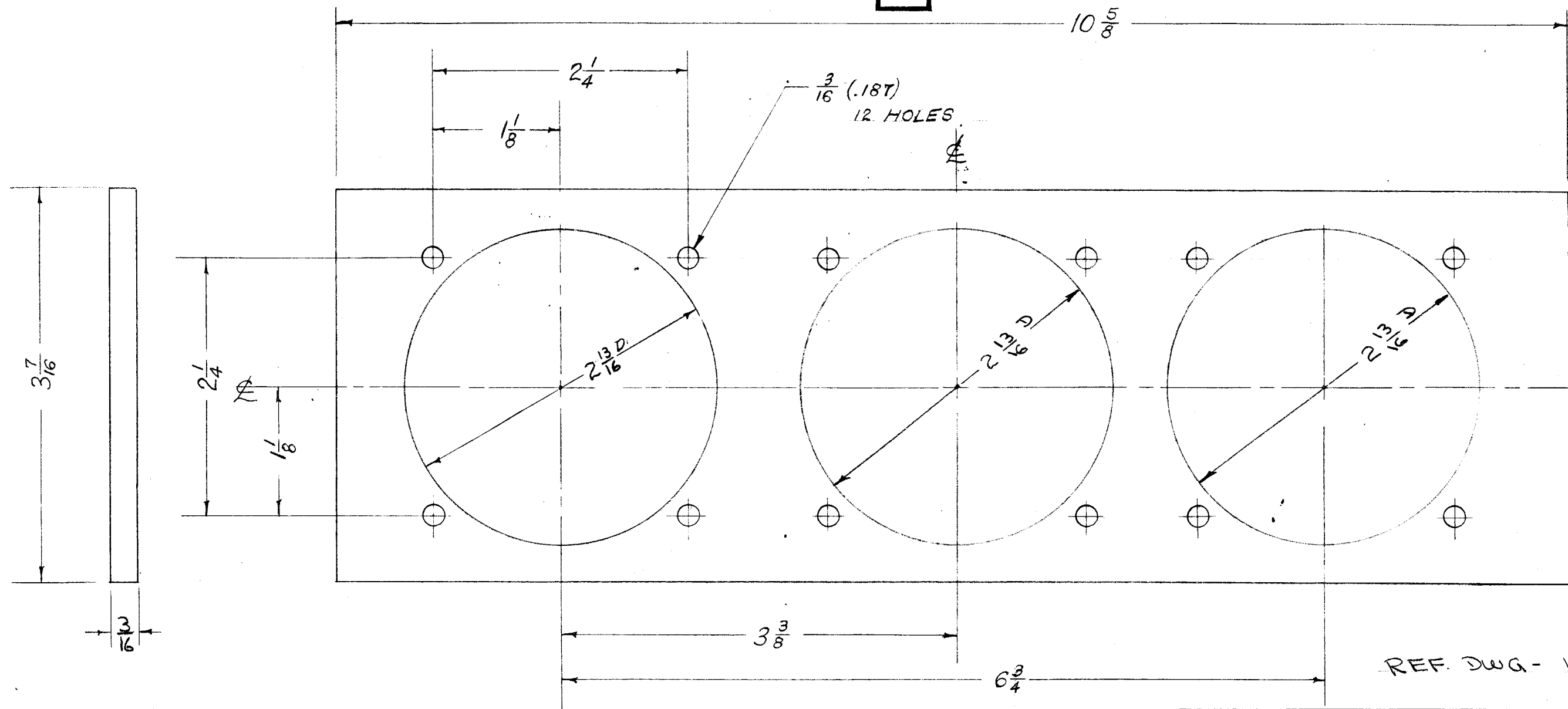


IF IT IS FOUND DESIRABLE TO CHANGE ANY TOLERANCE OR OTHER DETAIL SPECIFIED ON THIS DRAWING NOTIFY THE PURCHASER PROMPTLY.

MAXIMUM ALLOWABLE TOLERANCES HAVE BEEN DETERMINED AND DEVIATIONS WILL BE CAUSE FOR REJECTION. REMOVE ALL BURRS AND SHARP EDGES

PX-295 A



REF. DWG - LD-264

REQ.	ITEM	PART NO.	DESCRIPTION	SYMBOL
		$\frac{3}{16}$ THICK	THE TECHNICAL MATERIEL CORP. MAMARONECK, NEW YORK	
		STOCK SIZE		
		PHENOLIC	METER MOUNTING	
		MATERIAL	R.F. DECK	
		XXX LAMINATE	PS-9-22-55	OM-11/3/56
		TYPE & TEMPER		
		HEAT TREAT. SPEC.		
		DULL BLACK	CHECKED	FINAL APPROVAL
		FINISH & SPEC. NO.		PX-295 A

ISSUE	ITEM	CHANGED FROM	DATE	CN. NO.	DRAFTS	CHECKER	ENG. APP.
A	1	10 5/8 WAS 10 11/16	2-11-57	1	SC.	LB	

TOLERANCES	SCALE:
ALL OTHERS DEC. DIM. ± FRAC. DIM. ± ANGULAR DIM. ±	DRILL, PUNCH, COMMERCIAL STOCK SIZES AND MANUFACTURERS TOLERANCES ARE NOT INCLUDED.

REQ. PER UNIT	MODEL	PROJECT NO.	ASSY. NO.	DATE
1	RTF-2	F/P		11-19-58
1	R.T.F.			9-22-55

USED ON