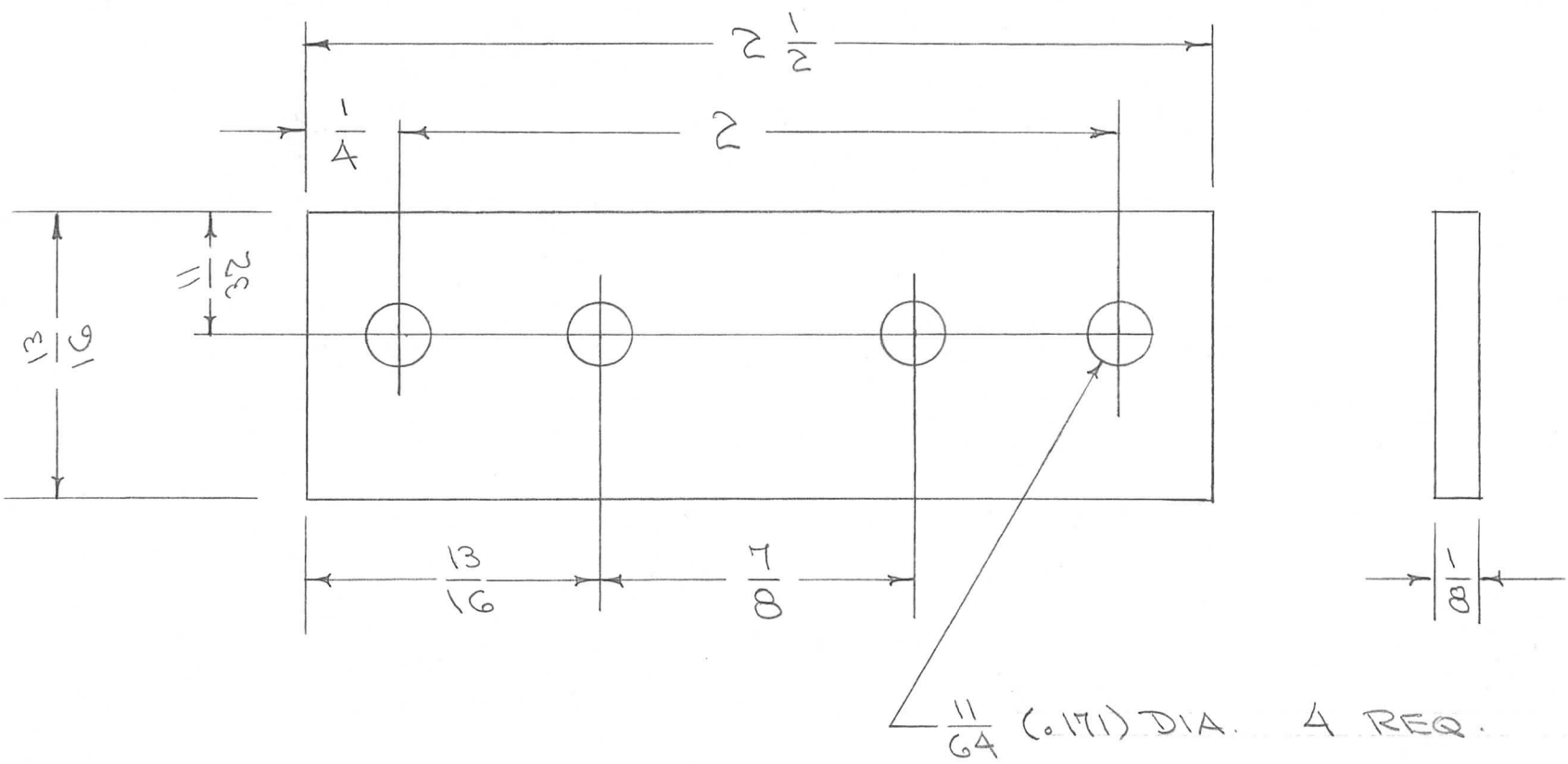


REQ. PER UNIT	USED ON			PX-301	C
	MODEL	ASS'Y. NO.	DATE		
2	RTF		4-17-56		
2	RTF-2	MULT.	11-20-58		



*** FUNGUS PROOFING PER TMC SPECIFICATION S-113**

ISSUE	ITEM	CHANGED FROM	DATE	CH. NO.	DRAFTS	CHECKER	ENG. APP.	REQ. ITEM	PART NO.	DESCRIPTION	SYMBOL			
									1/8 THK.	THE TECHNICAL MATERIEL CORP. MAMARONECK, NEW YORK				
									STOCK SIZE					
C		S113 ADDED	4/13/64	11186	A.M.	<i>Jide</i>	<i>WDC</i>			INSULATOR, CONDENSER				
B	2	QUAN. WAS 1	4/17/66	2		<i>WDC</i>	<i>WDC</i>			MULT.	GPT-750			
B	1	COMPLETE REVISION												
TOLERANCES			SCALE:				MATERIAL		TYPE & TEMPER		HEAT TREAT. SPEC.			
DEC. DIM. ±			MAXIMUM ALLOWABLE TOLERANCES HAVE BEEN DETERMINED AND ANY DEVIATIONS WILL BE CAUSE FOR REJECTION. REMOVE ALL BURRS AND SHARP EDGES				XXX P LAMINATE		DRAWN		CHECKED			
FRAC. DIM. ±							NATURAL *				MECH. DES. APP.		FINAL APPROVAL	
ANGULAR DIM. ±							FINISH & SPEC. NO.		ELEC. DES. APP.		MECH. DES. APP.		PX-301 C	