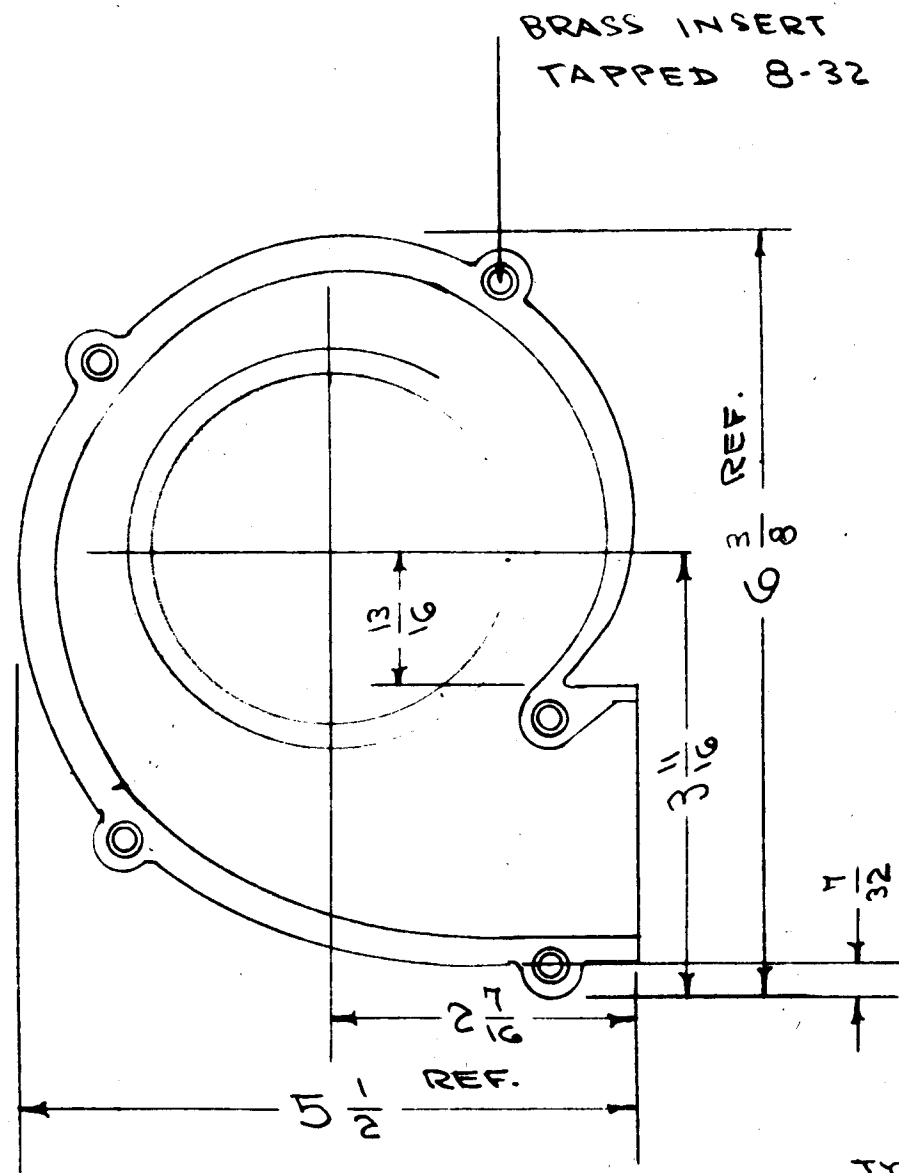


IF IT IS FOUND DESIRABLE TO CHANGE ANY TOLERANCE OR OTHER DETAIL SPECIFIED ON THIS DRAWING NOTIFY THE PURCHASER PROMPTLY.

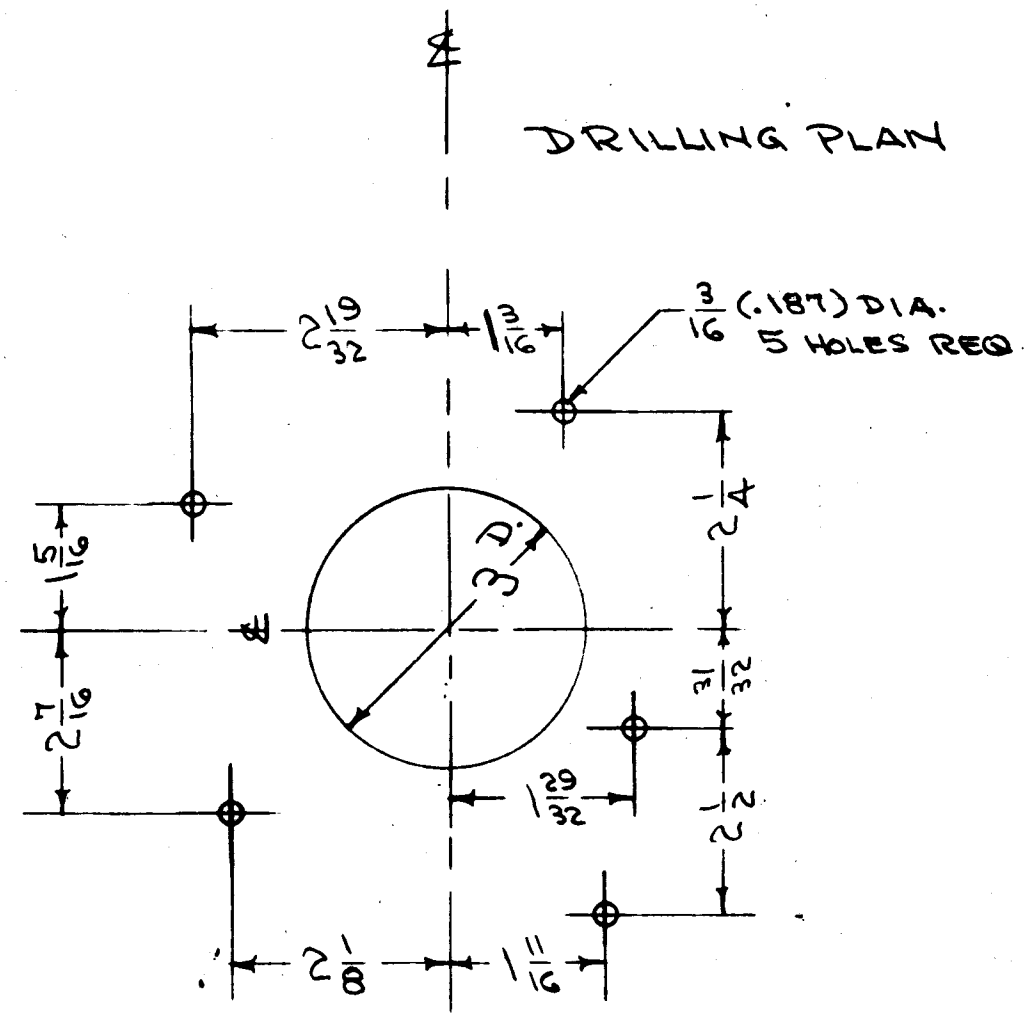
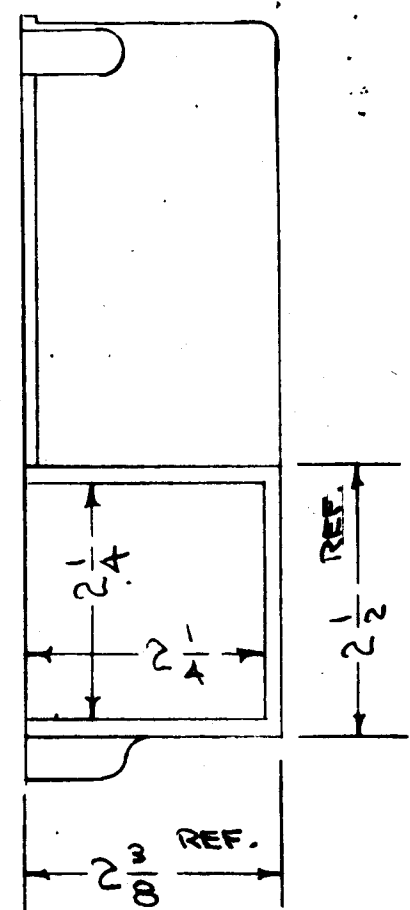
MAXIMUM ALLOWABLE TOLERANCES HAVE BEEN DETERMINED AND DEVIATIONS WILL BE CAUSE FOR REJECTION. REMOVE ALL BURRS AND SHARP EDGES

PX-306 A

TYPE	DIRECTION
CCW	COUNTER CLOCKWISE
CW	CLOCKWISE



CCW SHOWN



TYPE DESIGNATION TO BE IN FOLLOWING FORM REF: RIPLEY CO. INC. P/O LR3

PX-306 - CCW
TMC NO. TYPE (SEE CHART)

REQ. ITEM	PART NO.	DESCRIPTION	SYMBOL
		THE TECHNICAL MATERIEL CORP.	
		MAMARONECK. NEW YORK	
STOCK SIZE		HOUSING, L.R. 3 BLOWER	
MATERIAL WEIGHT PER PC.		GPT-750	
TYPE & TEMPER		303-26-SS	ALL 2/7/53
HEAT TREAT. SPEC.		DRAWN	ELEC. DES. APP. MECH. DES. APP.
FINISH & SPEC. NO.		CHECKED	A.J.S.
		PX-306	A

REV	ITEM	CHANGED FROM	DATE	CN. NO.	DRAFTS	CHECKER	ENG. APP.
1	1	DRILLING PLAN DIM. CHGD. DIM. ADDED.	7/1/53	1	CD	AK	WR

REQ. PER UNIT	MODEL	PROJECT NO.	ASSY. NO.	DATE
1	RTF			2-7-56
1	CAB/FRAME			9-26-55

SCALE: DRILL PUNCH, COMMERCIAL STOCK SIZES AND MANUFACTURERS TOLERANCES ARE NOT INCLUDED.