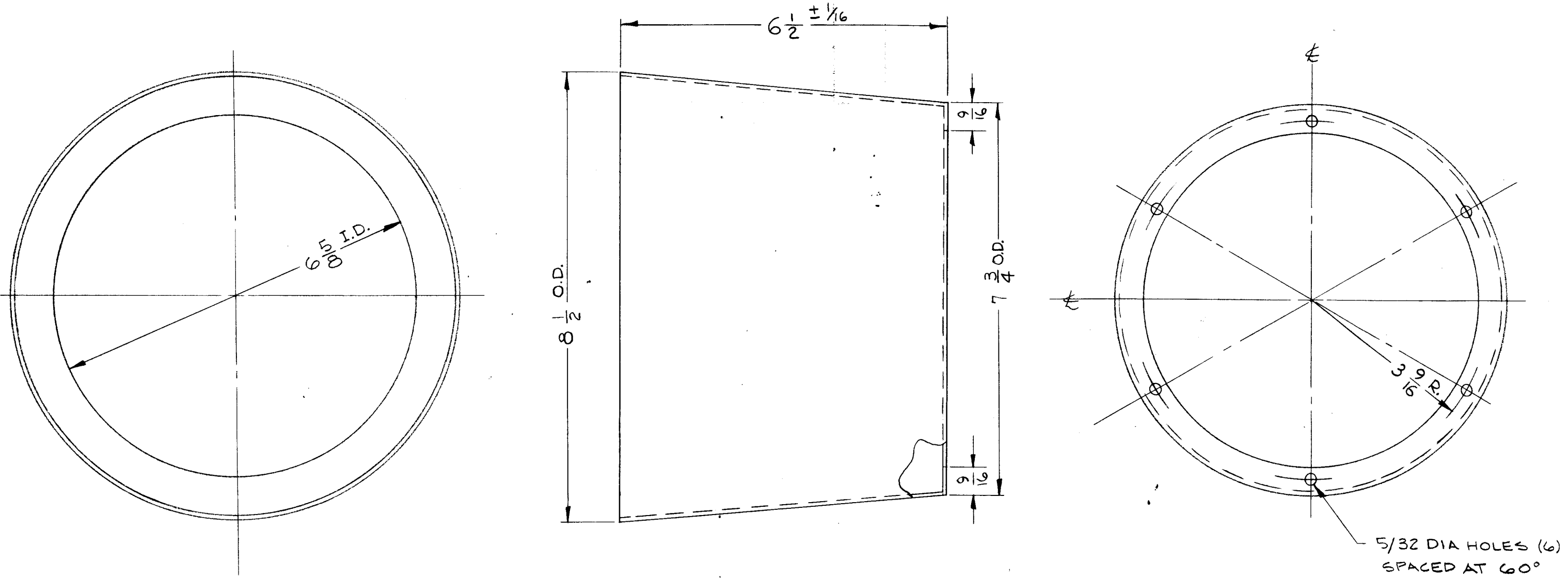


REVISIONS					
SYM	DESCRIPTION	DATE	E.M.N. NO.	DRAFT	CHKD APPD
B	COMPLETELY REVISED WITH CHANGES	12/10/63	8801	<i>HD</i>	<i>WTR</i>
C	DIM 6 1/2 ± 1/16 ADDED	8.26.64	12235	<i>WB</i>	<i>WTR</i>



NOTES

1	GPT-10K	
Q'TY./UNIT	MODEL USED ON	ASS'Y. NO.
SCALE NONE	CODE	

THE CONTENTS OF THIS DRAWING ARE THE EXCLUSIVE PROPERTY OF THE TECHNICAL MATERIEL CORP. ITS UNAUTHORIZED USE OR REPRODUCTION IN WHOLE OR IN PART IS STRICTLY FORBIDDEN.

REQ'D.	ITEM	PART NUMBER	DESCRIPTION	SYMBOL
<b>LIST OF MATERIAL</b>				
MATERIAL		THE TECHNICAL MATERIEL CORP. MAMARONECK, NEW YORK		
FINISH		TITLE		
S756 GRY SYNTHETIC ENAMEL		AIR, EXHAUST DUCT		
UNLESS OTHERWISE SPECIFIED DIMENSIONS ARE IN INCHES AND INCLUDE CHEMICALLY APPLIED OR PLATED FINISHES		DRAWN <i>HD</i>	DATE 12/10/63	FINAL APPROVAL <i>BP</i>
		CHECKED <i>WTR</i>	DATE 12/16/63	
DECIMALS .X ± .05 .XX ± .01 .XXX ± .005		ELECT. DES.	DATE	PX-443
FRACTIONS ± 1/64 ± 0° 30'		MECH. DES.	DATE	C
TOLERANCES		SHEET		REV. LTR.