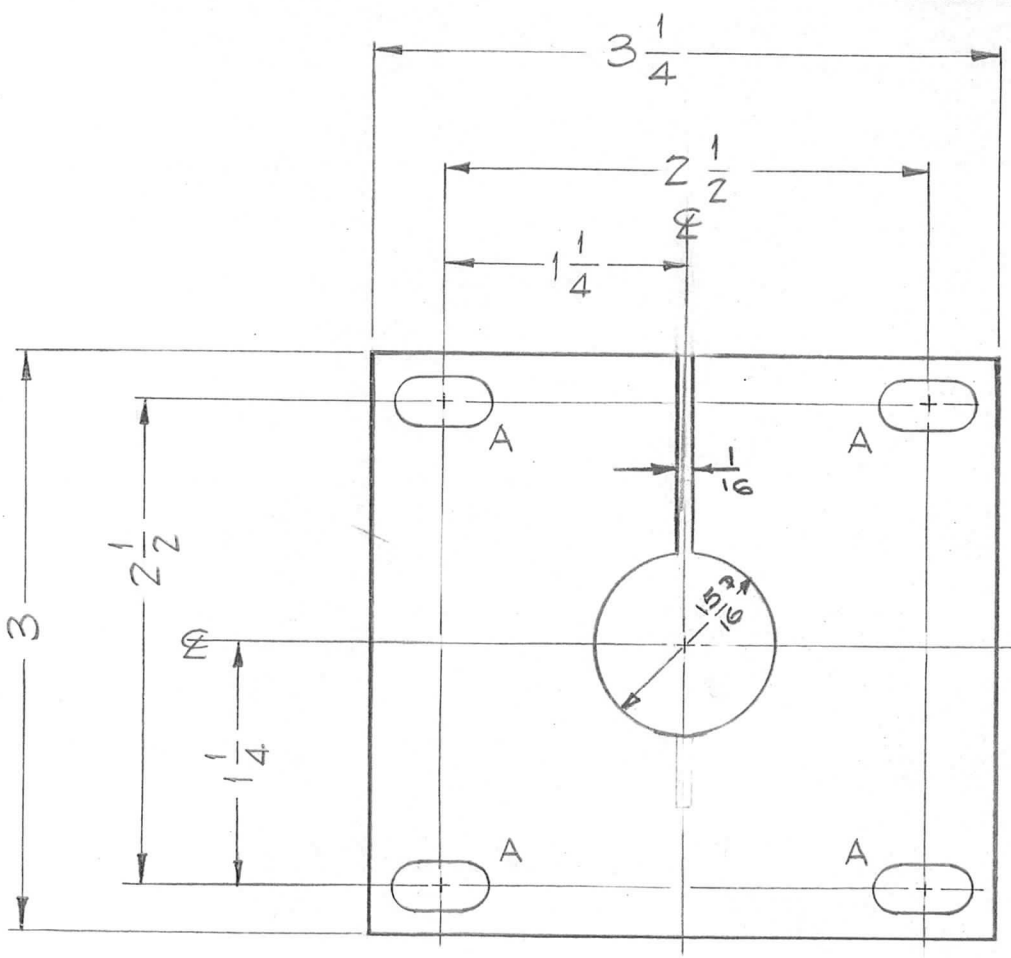


REQ. PER. UNIT	USED ON			PX-571	A
	MODEL	ASSY. NO.	DATE		
1	GPT40K	AX-209	7-1-60		



A -  $\frac{11}{64} \times \frac{11}{32}$  SLOTS 4 REQ.

B DETAIL - 1 REQ.

REQ.	ITEM	PART NO.	DESCRIPTION				SYMBOL
		.081 THICK	THE TECHNICAL MATERIEL CORP.				
		STOCK SIZE	MAMARONECK, NEW YORK				
A	1	TEFLON	INSULATOR, BANDSWITCH				
		MATERIAL	TOTAL TUBE MOTOR				
ISSUE ITEM		CHANGED FROM	DATE	CH. NO.	DRAFTS	CHECKER	ENG. APP.
			8-18-60	2798	PELL	JCB	DR
TOLERANCES			SCALE: FULL-DO NOT SCALE-				
DEC. DIM. $\pm$			MAXIMUM ALLOWABLE TOLERANCES HAVE BEEN DETERMINED AND ANY DEVIATIONS WILL BE CAUSE FOR REJECTION. REMOVE ALL BURRS AND SHARP EDGES				
FRAC. DIM. $\pm$ 1/64							
ANGULAR DIM. $\pm$							
		TYPE & TEMPER	HEAT TREAT. SPEC.		DRAWN	CHECKED	FINAL APPROVAL
					J.C. Biele	Alde	DRB
		FINISH & SPEC. NO.	ELEC. DES. APP		MECH. DES. APP		PX-571 A