

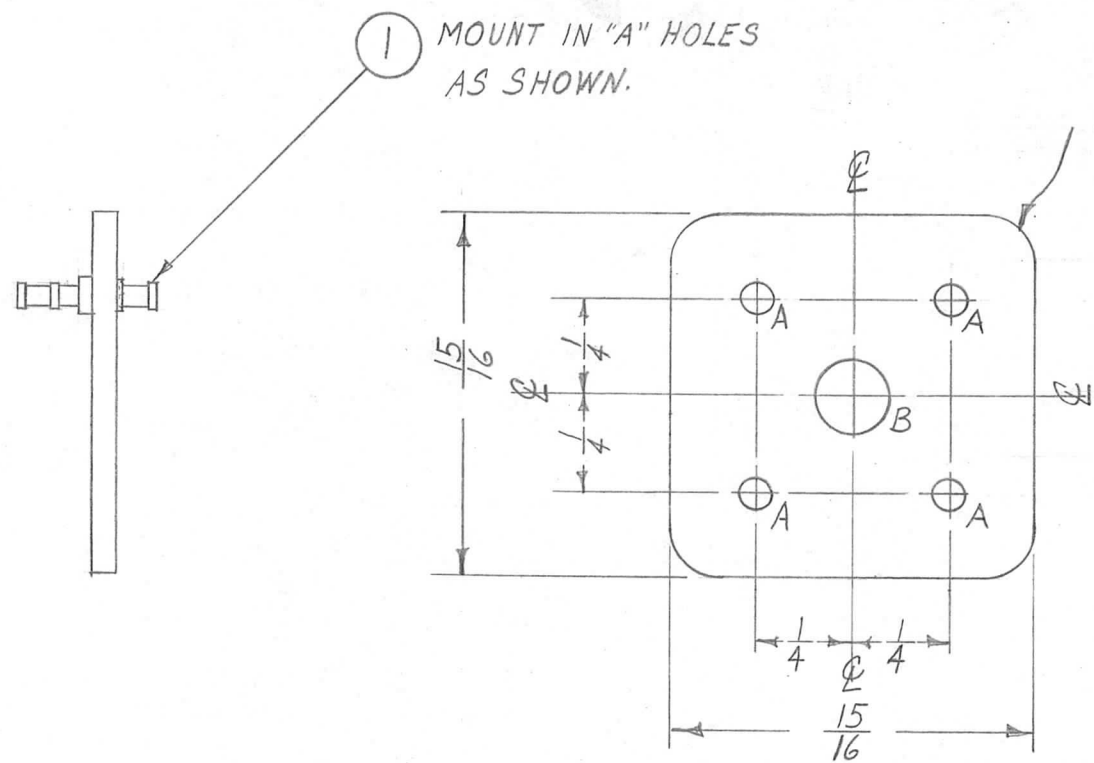
REQ. PER. UNIT	USED ON			PX-585
	MODEL	ASS'Y. NO.	DATE	
	CHG-1		8-23-60	

A ~ $\frac{5}{64}$ DIA.

4 REQ.

B ~ SEE CHART

1 "



$\frac{1}{8}$ R.
4 CORNERS

TMC PART NO.	"B" HOLE DIA.
PX-585-1	3/16
PX-585-2	1/4

4 1 TE-168-4B								TERMINAL, MINIATURE						
REQ. ITEM		PART NO.						DESCRIPTION		SYMBOL				
		1/6						THE TECHNICAL MATERIEL CORP.						
		STOCK SIZE						MAMARONECK, NEW YORK						
		PHENOLIC						TERMINAL BOARD, TRANSFORMER, 4 LUG.						
		MATERIAL												
ISSUE	ITEM	CHANGED FROM	DATE	CH. NO.	DRAFTS	CHECKER	ENG. APP.	LAMINATE XXXP						
TOLERANCES			SCALE: 2X											
DEC. DIM. ±			MAXIMUM ALLOWABLE TOLERANCES HAVE BEEN DETERMINED AND ANY DEVIATIONS WILL BE CAUSE FOR REJECTION. REMOVE ALL BURRS AND SHARP EDGES											
FRAC. DIM. ± 1/64														
ANGULAR DIM. ±														
							FINISH & SPEC. NO.		ELEC. DES. APP MECH. DES. APP					
							NATURAL		PX-585					