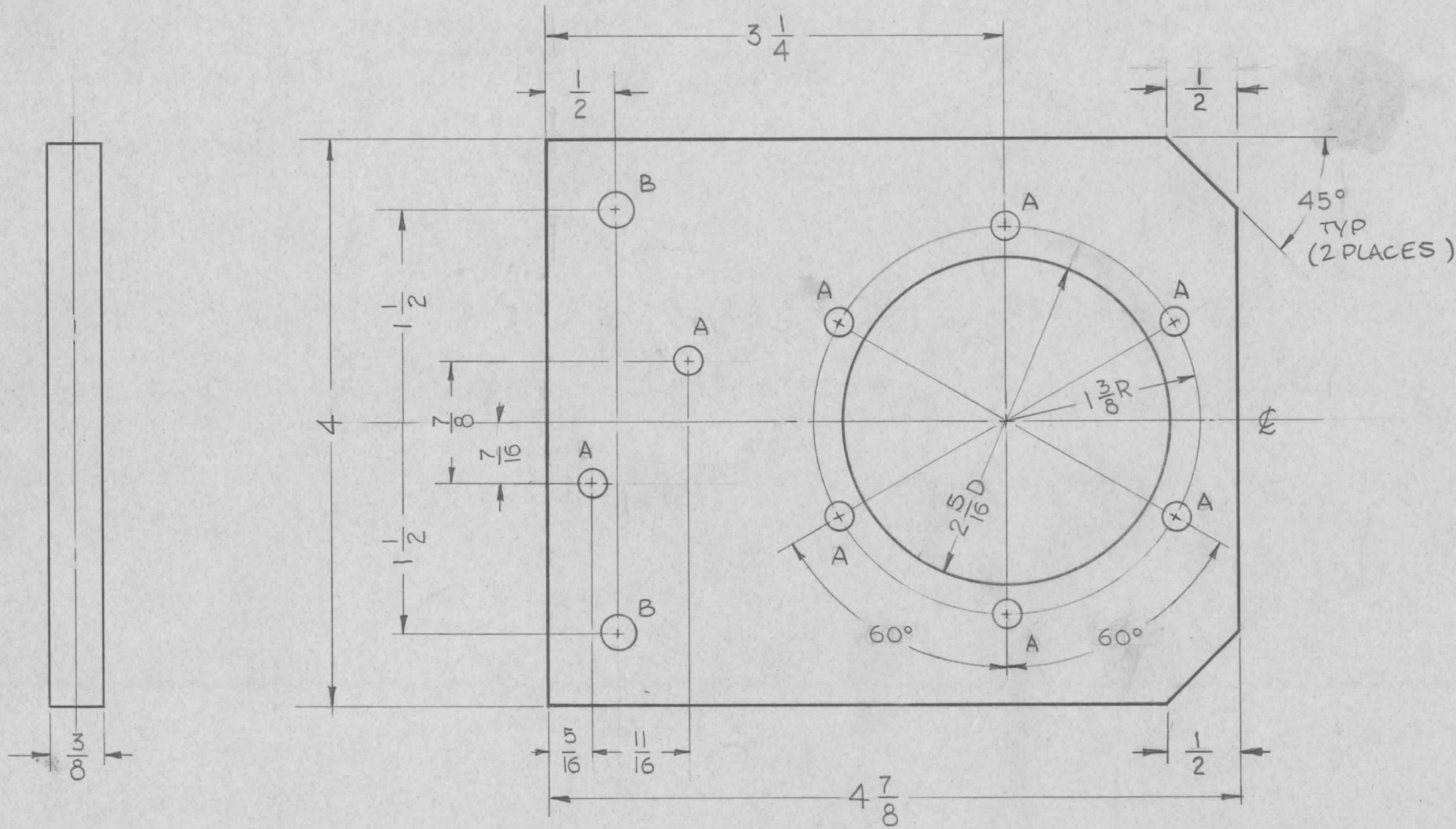


PX-625 B



HOLES -
 A ~ 3/16 DIA. 8 Req.
 B ~ 15/64 DIA. 2 Req.
 D ~ 3/16 DIA. 2 Req.

REF ~ TMC DWG. NO. LD-982 (1), LD2110

| B | ON PICT. 1/2" DIM. ADD TO 45° NOTCHES 4 TYP. | 10-21-64 | 12679 | 8.1 | <i>[Signature]</i> | <i>[Signature]</i> |
|-----|--|----------|---------|--------|--------------------|--------------------|
| A | 6(A) Holes Were 3/16 DIA. (D) Holes 2(B) Holes Were (C) Holes | 2-21-62 | 6423 | 4.4 | <i>[Signature]</i> | <i>[Signature]</i> |
| SYM | DESCRIPTION | DATE | CH. NO. | DRAFTS | CHECKER | ENG. APP. |

UNLESS OTHERWISE SPECIFIED:
 DIMENSIONS ARE IN INCHES
 TOLERANCES ON
 FRACTIONS ± 1/64 DECIMALS ± .005 ANGLES ± 1/2°
 SCALE:
 MAXIMUM ALLOWABLE TOLERANCES HAVE BEEN DETERMINED AND ANY DEVIATIONS WILL BE CAUSE FOR REJECTION.
 REMOVE ALL BURRS AND SHARP EDGES

| 2 | GPT-40K | MODE SW | AX-238 | 7-11-61 |
|---------------|---------|---------|------------|---------|
| REQ. PER UNIT | MODEL | SECTION | ASS'Y. NO. | DATE |
| USED ON | | | | |

| REQ. ITEM | PART NO. | DESCRIPTION | | | SYMBOL |
|--------------------|----------|--|--------------------|--------------------|--------|
| | 3/8 | THE TECHNICAL MATERIEL CORP. MAMARONECK, NEW YORK | | | |
| STOCK SIZE | | PLATE, CAPACITOR MTG. LOAD RESISTOR | | | |
| SILICONE GLASS | | MATERIAL | | | |
| G7 | | G.D.L | <i>[Signature]</i> | <i>[Signature]</i> | |
| TYPE & TEMPER | | HEAT TREAT. SPEC. | CHECKER | FINAL APPROVAL | |
| | | | <i>[Signature]</i> | PX-625 B | |
| FINISH & SPEC. NO. | | ELEC. DES. APP. | MECH. DES. APP. | | |