

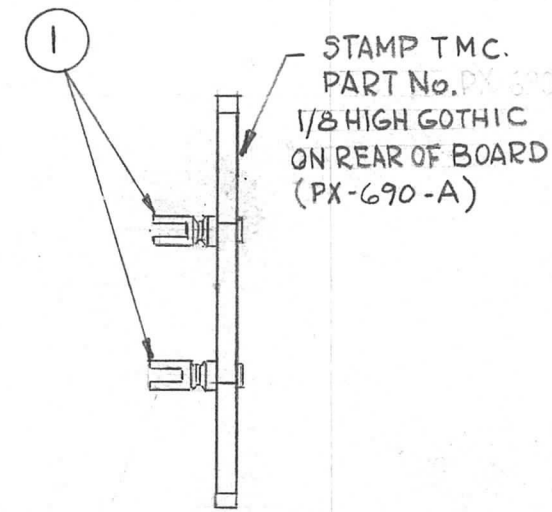
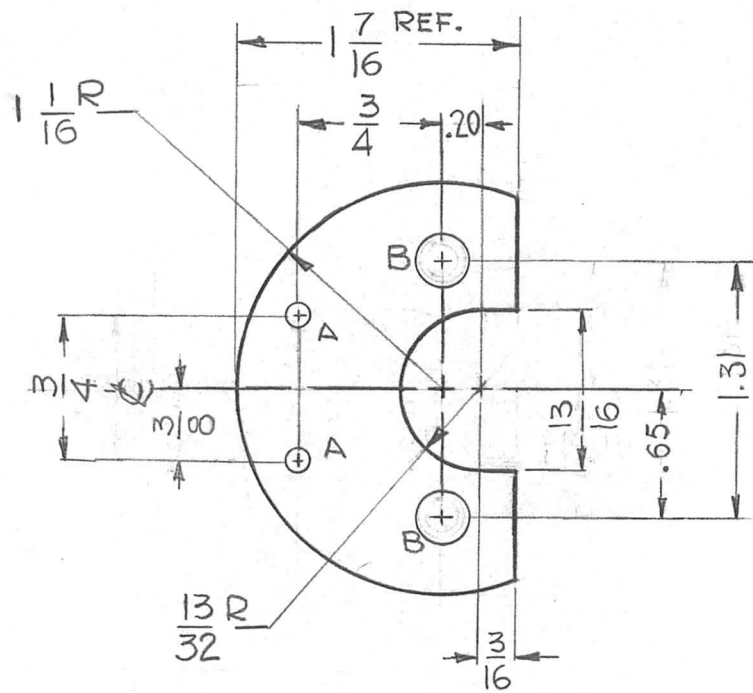
THE CONTENTS OF THIS DRAWING ARE THE EXCLUSIVE PROPERTY OF THE TECHNICAL MATERIEL CORP. ITS UNAUTHORIZED USE FOR REPRODUCTION IN WHOLE OR IN PART IS STRICTLY FORBIDDEN.

REQ. PER UNIT	USED ON	
	MODEL	DATE
1	GPR-92	1-3-63

PX-690 B

LEGEND		
HOLE	DESCRIPTION	REQ.
A	.112 <sup>±.002</sup> DIA.	2
B	17/64 DIA.	2

MOUNT ITEM (1) IN ALL "A" HOLES AS SHOWN AFTER FINISHING.



REF: MR-153

							2	1	TE-109-2	TERMINAL, LUG, SPLIT	A	
							REQ. ITEM		PART NO.	STRUMER DESCRIPTION	SYMBOL	
									.093 THK.	THE TECHNICAL MATERIEL CORP. MAMARONECK, NEW YORK		
									STOCK SIZE			
B	B' HOLES WERE 5/32	6-14-63	9288	Ⓟ	JMB	MP			PHENOLIC	TERMINAL BOARD, METER		
A	ITEM (1) WAS TE-109	1-30-63	8130	Ⓟ	JMA	MP			MATERIAL			
SYM	DESCRIPTION	DATE	CH. NO.	DRAFTS	CHECKER	ENG. APP.						
UNLESS OTHERWISE SPECIFIED DIMENSIONS ARE IN INCHES AND INCLUDE CHEMICALLY APPLIED OR PLATED FINISHES		SCALE		DO NOT SCALE				XXXXP		G.D.L	JMA	BP
TOLERANCES		FRACTIONS		CODE				TYPE & TEMPER	HEAT TREAT. SPEC.	DRAWN	CHECKED	FINAL APPROVAL
.X ± .05		± 1/64						NATURAL		JMA	MP	PX-690 B
.XX ± .01		ANGLES						FINISH & SPEC. NO.		DEC. DES. APP.	MECH. DES. APP.	
.XXX ± .005		± 0° 30'										