

THE CONTENTS OF THIS DRAWING ARE THE EXCLUSIVE PROPERTY OF THE TECHNICAL MATERIEL CORP. ITS UNAUTHORIZED USE FOR REPRODUCTION IN WHOLE OR IN PART IS STRICTLY FORBIDDEN.

REQ. PER UNIT

2

USED ON

MODEL

GPT-200K (AX-395)

ASS'Y. NO.

A-3258

DATE

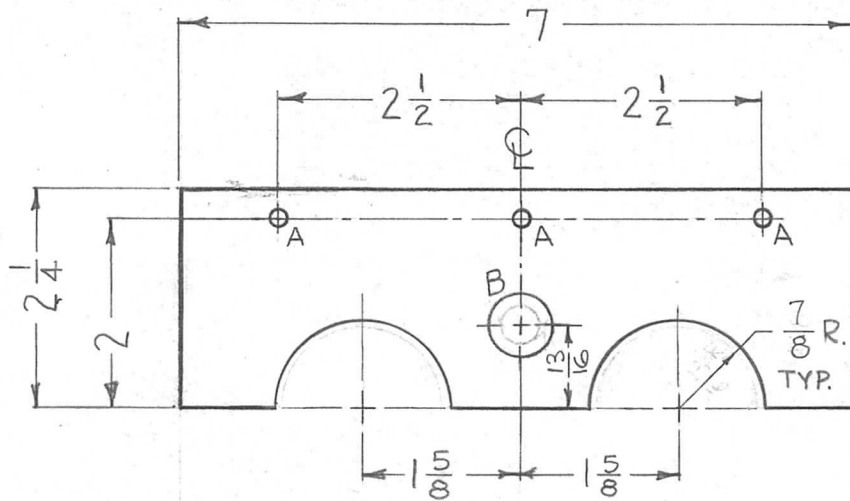
4-23-63

PX-744 0

HOLES

A ~ 11/64 DIA.
B ~ 5/8 DIA.

3 REQ.
1 REQ.



REQ.	ITEM	PART NO.	F. BUDETTI	DESCRIPTION	SYMBOL	
		1/8 THICK		THE TECHNICAL MATERIEL CORP. MAMARONECK, NEW YORK SUPPORT, CAPACITOR		
		STOCK SIZE				
		TEFLON				
		MATERIAL				
0	ORIG. RELEASE FOR PROD.	5-6-64	SRG			
X1	7/8 R WAS 3/4 R	10-24-63				
SYM	DESCRIPTION	DATE	CH. NO.	DRAFTS	CHECKER	ENG. APP.
UNLESS OTHERWISE SPECIFIED DIMENSIONS ARE IN INCHES AND INCLUDE CHEMICALLY APPLIED OR PLATED FINISHES		SCALE	1/2" = 1"			
DECIMALS .X ± .05 .XX ± .01 .XXX ± .005	TOLERANCES	FRACTIONS ± 1/64 ANGLES ± 0° 30'	CODE	A		
		TYPE & TEMPER	HEAT TREAT. SPEC.	DRAWN	CHECKED	FINAL APPROVAL
		NATURAL		<i>E. Green</i>	<i>aa</i>	<i>RWC</i>
		FINISH & SPEC. NO.	ELEC. DES. APP.	MECH. DES. APP.	PX-744 0	