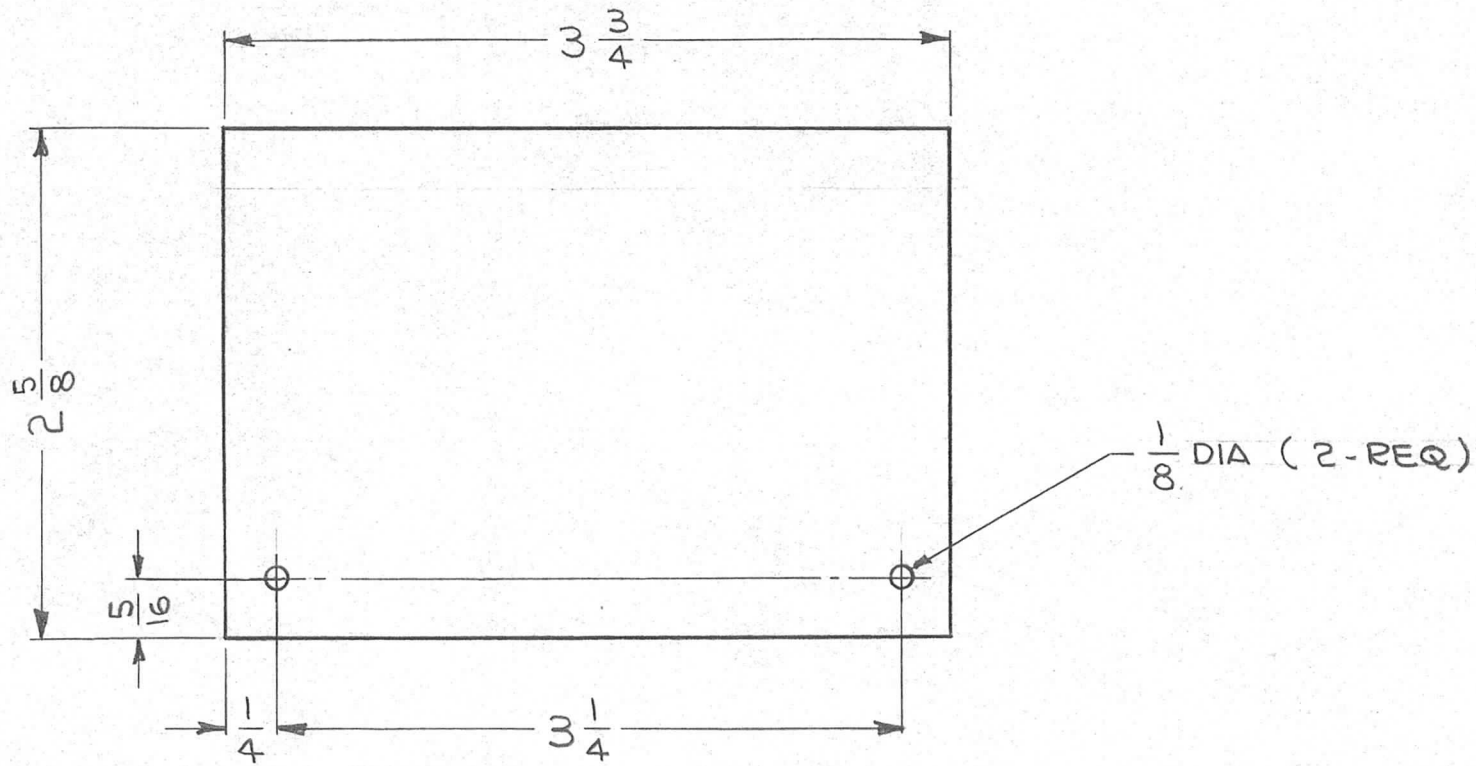


REQ. PER UNIT	USED ON			PX-841	○
	MODEL	ASS'Y. NO.	DATE		
2	GPR-92		3-2-64		



SYM	DESCRIPTION	DATE	CH. NO.	DRAFTS	CHECKER	ENG. APP.	REQ. ITEM	PART NO.	GELLMAN	DESCRIPTION	SYMBOL			
○	ORIGINAL RELEASE FOR PRODUCTION	3/9/64			fla		.040 ± .015 THK		THE TECHNICAL MATERIEL CORP. MAMARONECK, NEW YORK					
X	EXPER. RELEASE	3/6/64	X	68			STOCK SIZE		WINDOW, DIAL, PLAIN					
							PLEXIGLASS							
							MATERIAL							
UNLESS OTHERWISE SPECIFIED DIMENSIONS ARE IN INCHES AND INCLUDE CHEMICALLY APPLIED OR PLATED FINISHES		SCALE		1:1					G. Lerner fla 3/9/64 RWC 3/9/64					
DECIMALS .X ± .05 .XX ± .01 .XXX ± .005		FRACTIONS ± 1/64 ANGLES ± 0° 30'		TOLERANCES		CODE			TYPE & TEMPER		HEAT TREAT. SPEC.	DRAWN	CHECKED	FINAL APPROVAL
				A								MP		PX-841
								FINISH & SPEC. NO.		ELEC. DES. APP.		MECH. DES. APP.		○