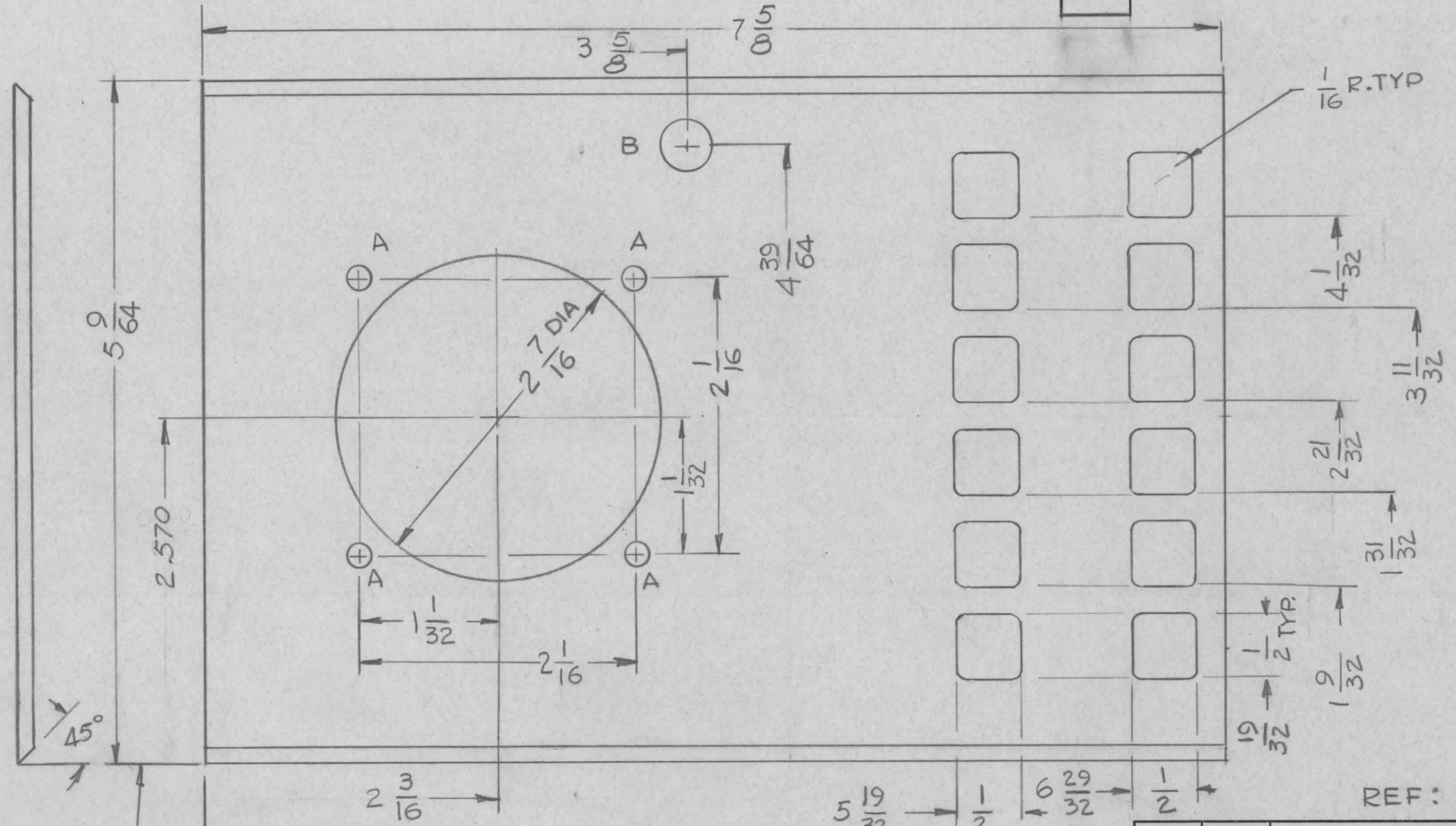


PX870 Ø

REVISIONS

SYM	DESCRIPTION	DATE	E.M.N. NO.	DRAFT	CHKD	APPD
X	EXPER. RELEASE	12-14-64		G.D.L.		
Ø	ORIGINAL RELEASE FOR PRODUCTION	1-28-65	Ø	Ø		



HOLE	DESCRIPTION	REQ
A	11/64 DIA	4
B	3/8 DIA	1

LOCATING BASE LINES

REF: LD 1665

REQ'D.	ITEM	PART NUMBER	DESCRIPTION	SYMBOL
--------	------	-------------	-------------	--------

O-POSE		LIST OF MATERIAL		
MATERIAL		THE TECHNICAL MATERIEL CORP.		
3/32 THK VINYL WHITE		MAMARONECK, NEW YORK		
FINISH		TITLE		
#		PANEL, FRONT		

1	TPC-II	
Q'TY./UNIT	MODEL USED ON	ASS'Y. NO.
SCALE 1:1	CODE A	

UNLESS OTHERWISE SPECIFIED DIMENSIONS ARE IN INCHES AND INCLUDE CHEMICALLY APPLIED OR PLATED FINISHES	DRAWN	DATE	FINAL APPROVAL	DATE
	G.D.L.	12-14-64		
	CHECKED	DATE		
		12-23-64		
DECIMALS	FRACTIONS	ELECT. DES.		DATE
.X ± .05	± 1/64			
.XX ± .01	ANGLES	MECH. DES.		DATE
.XXX ± .005	± 0° 30'			

NOTES

THE CONTENTS OF THIS DRAWING ARE THE EXCLUSIVE PROPERTY OF THE TECHNICAL MATERIEL CORP. ITS UNAUTHORIZED USE OR REPRODUCTION IN WHOLE OR IN PART IS STRICTLY FORBIDDEN.

PX870
SHEET
REV. LTR.