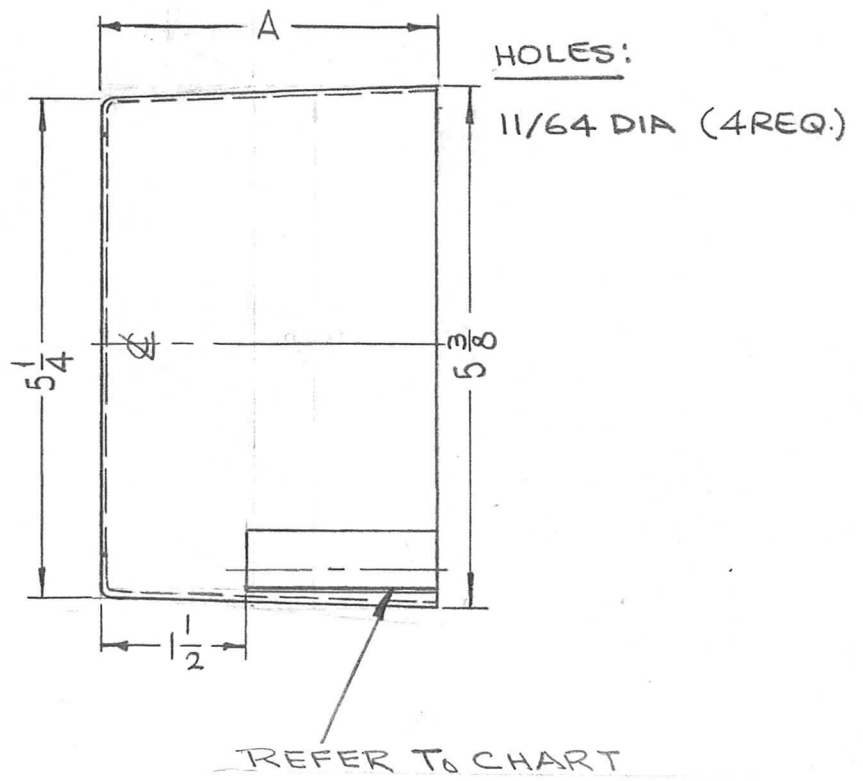
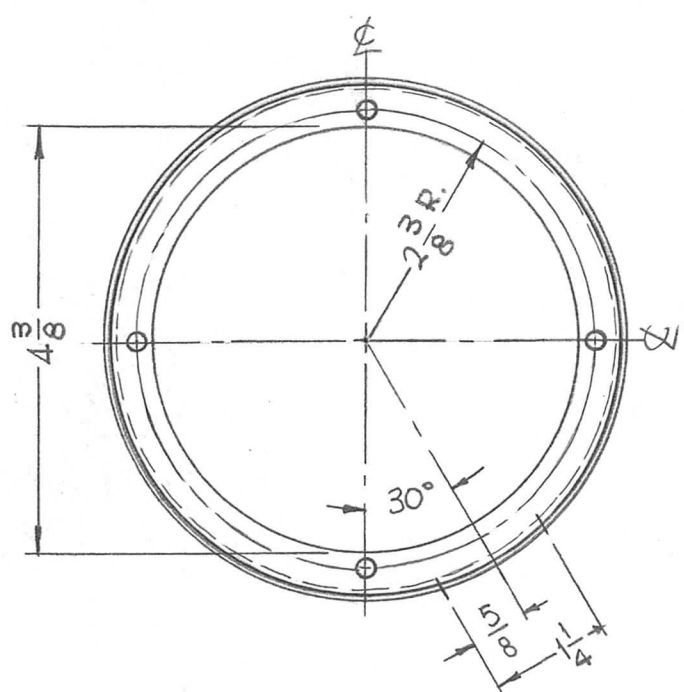


TMC P/N	A	CUTOUT
PX 915-1	1-9/16	NO
PX 915-2	3-1/2	YES

REQ. PER UNIT	USED ON			PX915	Ø
	MODEL	ASS'Y. NO.	DATE		
1	RFTA-1		1-28-65		



Ø	ORIGINAL RELEASE FOR PRODUCTION	9/13/66	Ø	CV		REQ. ITEM	PART NO.	F. BUDETTI	DESCRIPTION	SYMBOL					
X ₂	RE-INSTATED	6-22-65	X ₂	SRG		3 LAYERS			THE TECHNICAL MATERIEL CORP. MAMARONECK, NEW YORK BAFFLE, AIR						
X ₁	PX 915-2 ADDED	2-17-65	X ₁	SRG		STOCK SIZE									
X	EXP. RELEASE	1-28-65	X	SRG		FIBERGLASS									
SYM	DESCRIPTION	DATE	CH. NO.	DRAFTS	CHECKER	ENG. APP.	MATERIAL								
UNLESS OTHERWISE SPECIFIED DIMENSIONS ARE IN INCHES AND INCLUDE CHEMICALLY APPLIED OR PLATED FINISHES		SCALE				1/2" = 1"		SRG		OCB	D.B. Althoff				
DECIMALS .X ± .05 .XX ± .01 .XXX ± .005		FRACTIONS ± 1/64 ANGLES ± 0° 30'		CODE A		TYPE & TEMPER		HEAT TREAT. SPEC.		DRAWN		CHECKED		FINAL APPROVAL	
TOLERANCES						S115 SMOOTH GREY ENAM				OCB		SRG		PX 915 Ø	
						FINISH & SPEC. NO.		ELEC. DES. APP.		MECH. DES. APP.					