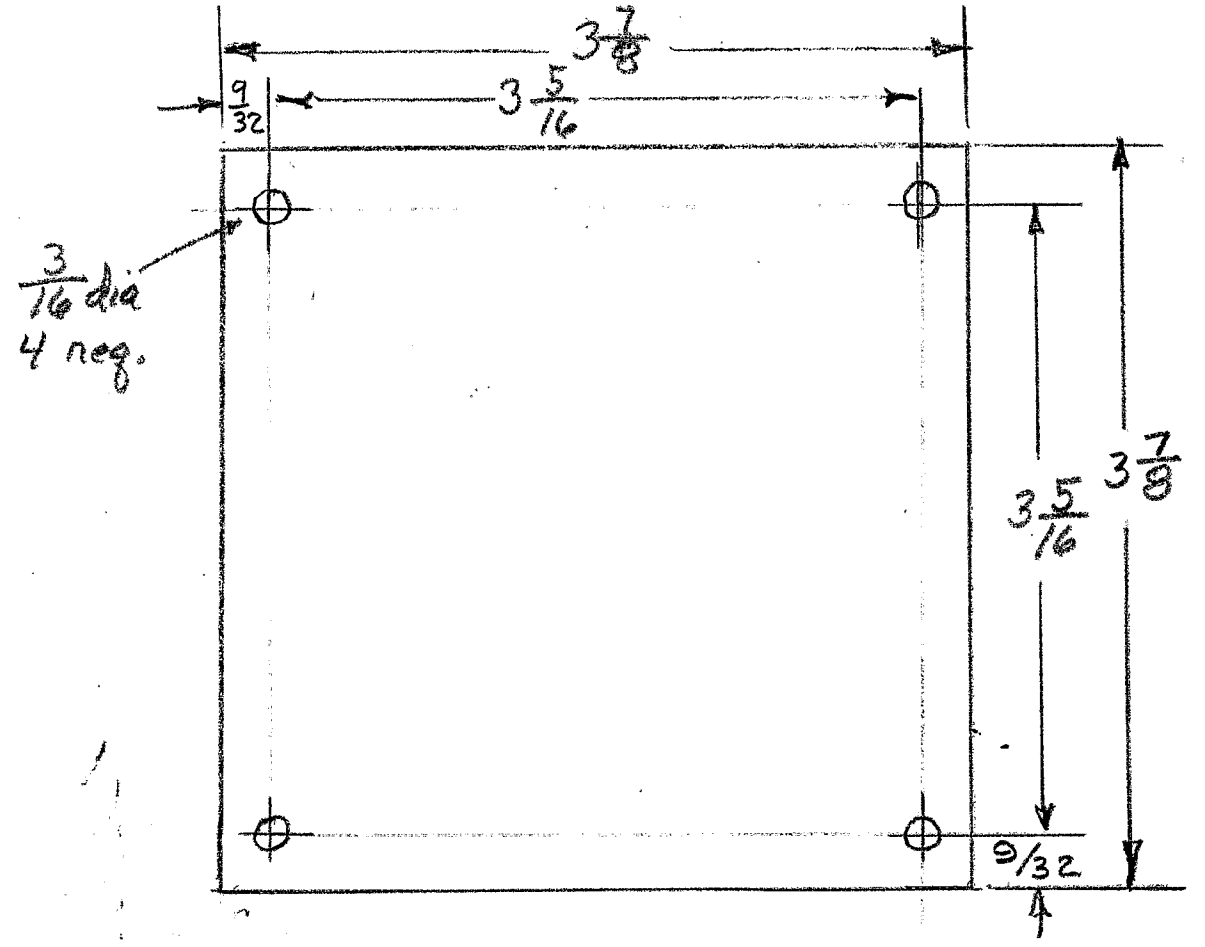


E-5181

REQ. PER UNIT	USED ON		PX 926	Ø
	MODEL	ASSY. NO.		
	AZ104	Loose Item		



							REQ. ITEM	PART NO.	HAY		DESCRIPTION	SYMBOL
							1/16 STOCK SIZE		THE TECHNICAL MATERIEL CORP. MAMARONECK, NEW YORK			
							Phenolic		COVER, CIRCUIT BOARD			
							MATERIAL					
ISSUE	ITEM	CHANGED FROM	DATE	CH. NO.	DRAFTS	CHECKER	ENG. APP.	XXXXP	RH			
TOLERANCES			SCALE: <i>+</i>				TYPE & TEMPER		HEAT TREAT. SPEC.	DRAWN	CHECKED	FINAL APPROVAL
DEC. DIM. ± FRAC. DIM. ± ANGULAR DIM. ±			MAXIMUM ALLOWABLE TOLERANCES HAVE BEEN DETERMINED AND ANY DEVIATIONS WILL BE CAUSE FOR REJECTION. REMOVE ALL BURRS AND SHARP EDGES				NATURAL					
							FINISH & SPEC. NO.		ELEC. DES. APP.	MECH. DES. APP.	PX 926 Ø	