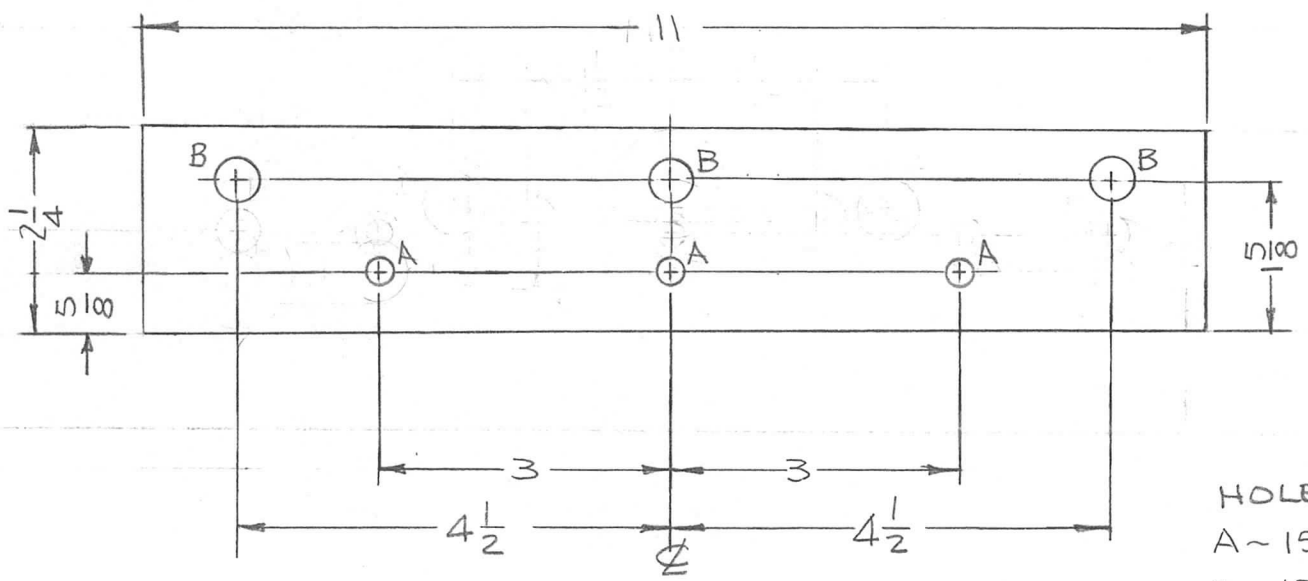


REQ. PER UNIT	USED ON			PX 986	∅
	MODEL	ASS'Y. NO.	DATE		
1	KIT-257		5-3-66		



HOLES:
 A ~ 15/64 DIA. (3 REQ.)
 B ~ 13/32 DIA. (2 REQ.)

REF. LD 2074

							REQ. ITEM	PART NO.	F. BUDETTI	DESCRIPTION	SYMBOL	
							3/32 THICK		THE TECHNICAL MATERIEL CORP.			
							STOCK SIZE		MAMARONECK. NEW YORK			
							EPOXY		BOARD, MTG CAPACITORS			
							MATERIAL					
∅	ORIGINAL RELEASE FOR PRODUCTION	7.11.66	wt	WHD			G11		<i>MS</i>	<i>CB</i>	<i>D.B. Miller</i>	
SYM	DESCRIPTION	DATE	CH. NO.	DRAFTS	CHECKER	ENG. APP.	TYPE & TEMPER	HEAT TREAT. SPEC.	DRAWN	CHECKED	FINAL APPROVAL	
UNLESS OTHERWISE SPECIFIED DIMENSIONS ARE IN INCHES AND INCLUDE CHEMICALLY APPLIED OR PLATED FINISHES		SCALE 1/2										
DECIMALS		FRACTIONS	CODE									
.X ± .05		± 1/64	A									
.XX ± .01	TOLERANCES	ANGLES										
.XXX ± .005		± 0° 30'										
							S113 FUNGUS PROOF	00 7-11-66	<i>MS</i>	<i>CB</i>	PX 986	
							FINISH & SPEC. NO.	ELEC. DES. APP.	MECH. DES. APP.			