

CHART 1

RESISTANCE	
CODE	OHMS
500	50
101	100
201	200
501	500
102	1000
202	2000
502	5000
103	10,000

CHART 2

CASE TYPE, AND ROTATION	
7	TQ-9 TRANSISTOR TYPE FLUSH SHAFT, CONTIN- UOUS ROTATION
8	TQ-9 TRANSISTOR TYPE, FLUSH SHAFT END STOPS

CHART 3

LEADS	
3	PRINTED CIRCUIT TYPE, 180° FROM SHAFT

RV116

REVISIONS

SYM	DESCRIPTION	DATE	E.M.N. NO.	DRAFT	CHKD	APPD
X	EXP. RELEASE	10-28-64		G.D.L.		
Ø	ORIGINAL RELEASE FOR PRODUCTION	11-2-64	Ø	JP		

— SPECIFICATIONS —

MECHANICAL:

NUMBER OF TURNS _____ 1
 ADJUSTMENT _____ 320° MIN. WITH STOPS
 SHAFT TORQUE _____ 7 OZ-IN. MAX
 ROTATIONAL LIFE _____ 500 CYCLES MIN
 WEIGHT _____ 1 GRAM MAX.

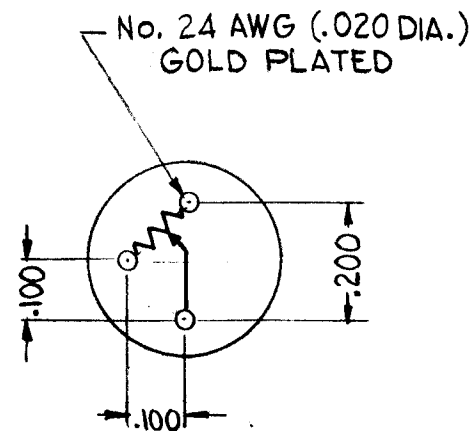
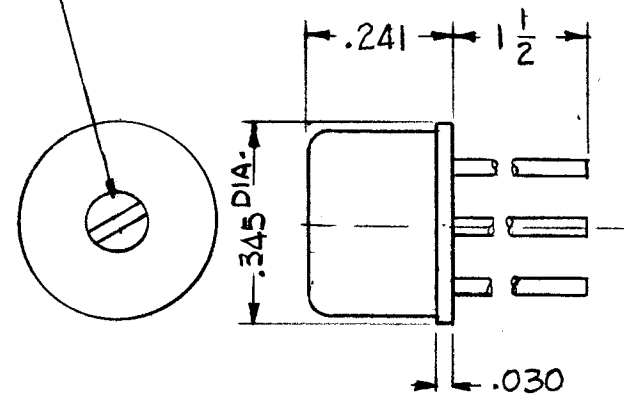
ELECTRICAL:

STANDARD RESISTOR RANGE _____ 50 Ω TO 10K
 RESISTANCE TOL. _____ ±10%
 EFFECTIVE ELECTRICAL TRAVEL _____ 300°±10° WITH STOPS
 (CONT. 335°±10°)
 POWER RATING _____ .5WATT AT 50°C
 INSULATING RESISTANCE _____ 500 MEGOHMS MIN.

ENVIRONMENTAL:

OPERATING TEMPERATURE RANGE _____ -65°C TO +105°C
 VIBRATION _____ 20G's TO 2,000 CPS
 SHOCK _____ 50 G's 11 MS
 LOAD LIFE _____ 500 HRS. AT RATED POWER

FLUSH SHAFT
 .100 DIA.
 SLOT .025 WIDE X .025 DEEP



RV116 - 101 - 8 - 3

BASIC TMC PART NUMBER RESISTANCE CODE-CHART 1 CASE TYPE CHART 2 LEADS CHART 3

STANDARD DRAWING

1	RTIA-1	
1	RTMU-1	
Q'TY./UNIT	MODEL USED ON	ASS'Y. NO.
SCALE 1:3	CODE C	5401-336 (#82)

THE CONTENTS OF THIS DRAWING ARE THE EXCLUSIVE PROPERTY OF THE TECHNICAL MATERIEL CORP. ITS UNAUTHORIZED USE OR REPRODUCTION IN WHOLE OR IN PART IS STRICTLY FORBIDDEN.

NOTES

REQ'D.	ITEM	PART NUMBER	DESCRIPTION	SYMBOL
EATON LIST OF MATERIAL				
MATERIAL		THE TECHNICAL MATERIEL CORP. MAMARONECK, NEW YORK		
FINISH		TITLE RESISTOR, VARIABLE MICRO-MINIATURE		
UNLESS OTHERWISE SPECIFIED DIMENSIONS ARE IN INCHES AND INCLUDE CHEMICALLY APPLIED OR PLATED FINISHES		DRAWN G.D.L.	DATE 10-28-64	FINAL APPROVAL
DECIMALS .X ± .05 .XX ± .01 .XXX ± .005		CHECKED @	DATE 10-28-64	DATE 10/29/64
FRACTIONS ± 1/64 ANGLES ± 0° 30'		ELECT. DES. JC	DATE 10/29/64	REV. LTR. Ø
TOLERANCES		MECH. DES.	DATE	SHEET