

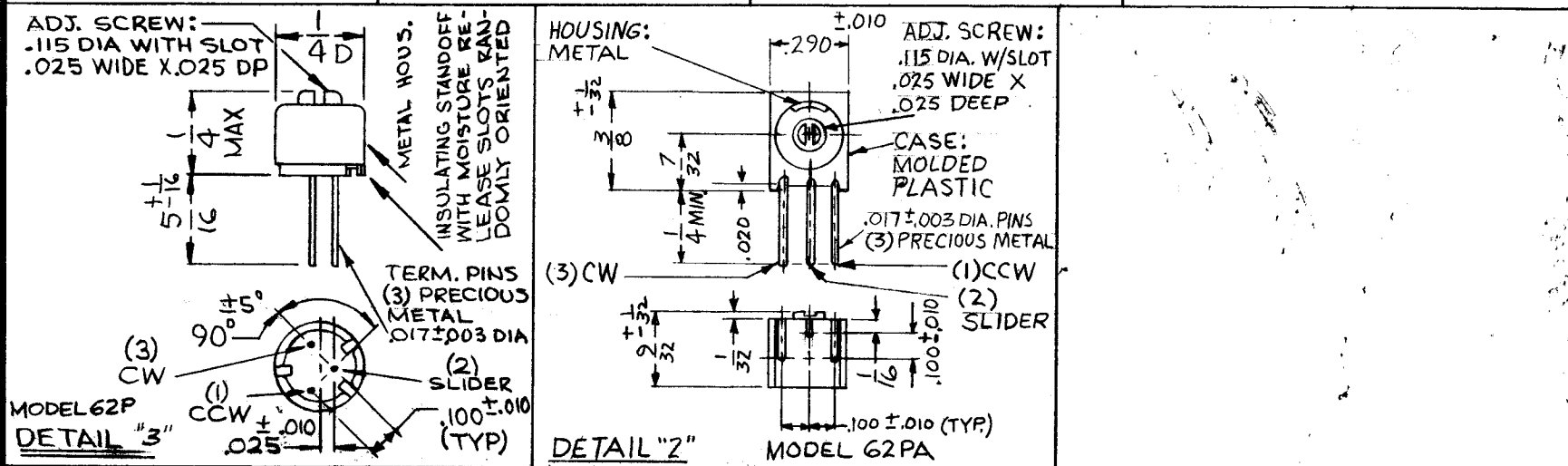
STANDARD DRAWING

STANDARD RESISTANCE VALUES & TEMP COS

STD. RESISTANCE VALUE, OHMS	UNIT TEMP CO (ppm/°C)	STD. RESISTANCE VALUE, OHMS	UNIT TEMP CO (ppm/°C)
10	0 TO +500	10 K	± 250
20	0 TO +500	20 K	± 250
50	0 TO +500	25 K	± 250
100	0 TO +500	50 K	± 250
200	0 TO +500	100 K	± 250
500	0 TO +500	200 K	0 TO -250
1K	± 250	250 K	0 TO -250
2K	± 250	500 K	0 TO -250
5K	± 250	1 MEG	0 TO -250

C
RV124

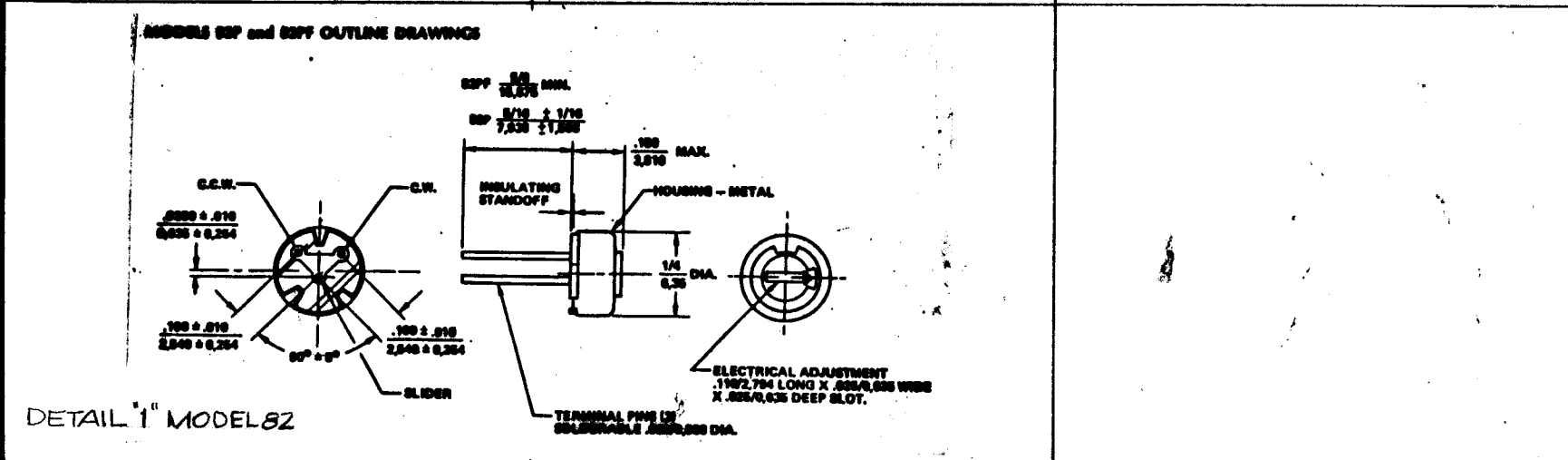
REVISIONS					
SYM	DESCRIPTION	DATE	E.M.N. NO.	DRAFT	CHKD
Ø	ORIGINAL RELEASE FOR PRODUCTION	9-28-66	Ø	RME	
A	ADDED DETAIL "2"	6.7.68	18958	H.Y.	
B	ADD. 5401-395 (3329)	6/4/70	CLERICAL	K.H.	CV
C	CHG DET. "1" TO "3" ADD NEW DET. 1 MOD. 82	12-7-72	20966	GE	EG



GENERAL —
 AMBIENT TEMP RANGE — -25°C TO +125°C
 RESISTANCE ELEMENT — CERMET
 ADJUSTMENT — 1

ELECTRICAL —
 RANGE OF STD RESISTANCE VALUES — 10Ω TO 2 MEG Ω
 INPUT VOLTAGE, MAX — 200 VDC (RMS) OR WITHIN POWER RATING WHICHEVER IS LESS
 SLIDER CURRENT, MAX — 100 MA OR WITHIN POWER RATING WHICHEVER IS LESS
 POWER RATING — 0.5W AT +70°C, DERATING TO 0 WATTS AT +125°C
 END RESISTANCE, MAX — 2Ω OR 1% OF R_T WHICHEVER IS >
 ACTUAL ELEC. TRAVEL — 215° ± 25°
 ELEC. CONTINUITY TRAVEL — CONTINUOUS
 DIELECTRIC STRENGTH — 400V RMS
 INSULATION RESISTANCE — 100 MEG Ω
 RESOLUTION — ESSENTIALLY INFINITE
 STD. RESISTANCE TOLERANCE — ± 30%

MECHANICAL —
 TOTAL MECHANICAL TRAVEL — 270° ± 30°
 STOPS — SOLID
 STARTING TORQ. MAX — 5.0 OZ-IN
 WEIGHT
 MODELS 62P — 0.03 OZ
 MODELS 62PA, 62PH, 62SK — 0.04 OZ
 TEMP. CYCLING — 5 CYCLES, -25°C +125°C
 HUMIDITY CYCLING — 5 CYCLES
 SHOCK — 50G'S
 VIBRATION — 10 TO 500 HZ'S 10G'S
 LOAD LIFE, AT 0.5W — 1000 HRS AT +70°C
 ROTATIONAL LIFE — 200 CYCLES



TMC PART No SHALL BE IN THE FOLLOWING FORM

RV124-1-501

BASIC DWG No. 1 DETAIL

RESISTANCE VALUE (SEE CHART) LAST DIGIT INDICATES No OF ZEROES

REQ'D.	ITEM	PART NUMBER	DESCRIPTION	SYMBOL
LIST OF MATERIAL				
MATERIAL			THE TECHNICAL MATERIEL CORP. MAMARONECK, NEW YORK	
FINISH			TITLE	
			RESISTOR, VARIABLE, COMPOSITION	
UNLESS OTHERWISE SPECIFIED DIMENSIONS ARE IN INCHES AND INCLUDE CHEMICALLY APPLIED OR PLATED FINISHES			DRAWN	DATE
			9-21-66	
DECIMALS .X ± .05 .XX ± .01 .XXX ± .005			CHECKED	DATE
			9-27-66	
TOLERANCES FRACTIONS ± 1/64 ANGLES ± 0° 30'			ELECT. DES.	DATE
			9-27-66	
THE CONTENTS OF THIS DRAWING ARE THE EXCLUSIVE PROPERTY OF THE TECHNICAL MATERIEL CORP. ITS UNAUTHORIZED USE OR REPRODUCTION IN WHOLE OR IN PART IS STRICTLY FORBIDDEN.			MECH. DES.	DATE
Q'TY./UNIT			FINAL APPROVAL	DATE
SCALE			RV124	C
MODEL USED ON			SHEET	REV. LTR.
ASS'Y. NO.				
CODE				
S401-339 (62P)				
S401-395 (3329)				

NOTES