

RESISTANCE (OHMS)	NOMINAL RESOLUTION (%)	MFGR P/N P/C PINS (P)
10	1.18	3250P-1-100
20	0.90	-200
50	0.70	-500
100	0.80	-101
200	0.63	-201
500	0.49	-501
1,000	0.34	-102
2,000	0.27	-202
5,000	0.21	-502
10,000	0.16	-103
20,000	0.14	-203
25,000	0.13	-253
50,000	0.11	3250P-1-503

REVISIONS						
ZONE	LTR	DESCRIPTION	DATE	E.M.N.NO	DRAFT	CHKD APPD
	X	EXPERIMENTAL RELEASE	2/26/68		C.V.	<i>[Signature]</i>
	Ø	ORIG. RELEASE FOR PROD	10/25/68	Ø	R.G.	<i>[Signature]</i>

ELECTRICAL CHARACTERISTICS

RESISTANCE VALUES (SEE CHART) 10 Ω TO 50K Ω
 RESISTANCE TOLERANCE ±5.0% STANDARD, CLOSER TOLERANCES AVAIL.
 ABSOLUTE MIN. RESISTANCE 0.1% OR 0 TO 1.0Ω WHICHEVER IS GREATER
 CONTINUITY MAINTAINED FOR FULL MECHANICAL RANGE
 NOISE DURING ADJUSTMENT 100Ω ENR MAXIMUM
 INSULATION RESISTANCE, 500 VDC 1000 MEGOHMS MINIMUM
 RESOLUTION (SEE CHART) ON FRONT 1.18 TO .11%

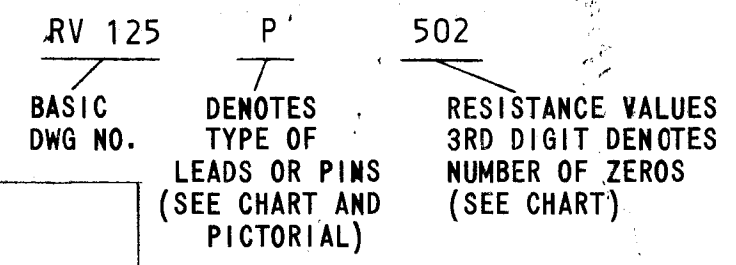
ENVIRONMENTAL CHARACTERISTICS

POWER RATINGS:
 70°C AMBIENT 1.0 WATT
 125°C AMBIENT 0.5 WATT
 175°C AMBIENT 0 WATT
 OPERATING TEMPERATURE RANGE -65 TO +175°C
 TEMPERATURE COEFFICIENT 50 PPM/°C

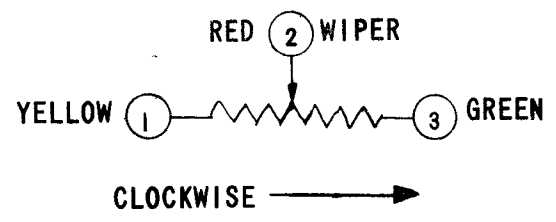
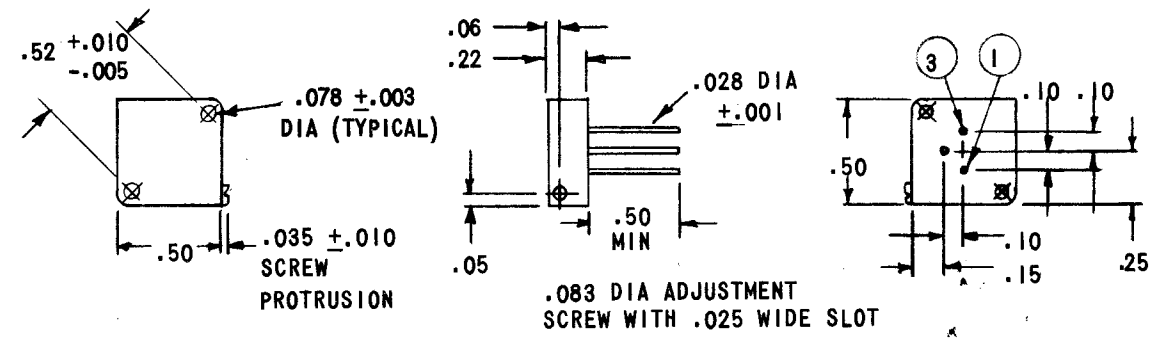
PHYSICAL CHARACTERISTICS

SHAFT TORQUE: 5 OZ-IN MAX.
 MECHANICAL ADJUSTMENT: 25 TURNS NOMINAL
 MECHANICAL STOPS: WIPER ASSEMBLY IDLES
 WEIGHT: APPROX. 0.06 OZ.
 MOUNTING:
 STRANDED LEADS (L): 30 AVG (.024 O.D.) 7 STRANDS/38 AWG
 PINS (P) (W): GOLD PLATED GRADE A NICKEL .028" DIAMETER PRINTED CIRCUIT PINS

TMC PART NUMBER SHALL BE IN THE FOLLOWING FORM:



MFGR TYPE: 3250P



QTY / UNIT	MODEL USED ON	ASS'Y NO.
	HFRR-4	
APPLICATION		
CODE	S401-395	
C		

NOTICE TO PERSONS RECEIVING THIS DRAWING
 THE TECHNICAL MATERIEL CORPORATION claims proprietary right in the material disclosed hereon. This drawing is issued in confidence for engineering information only and may not be reproduced or used to manufacture anything shown hereon without permission from THE TECHNICAL MATERIEL CORPORATION to the user. This drawing is loaned for mutual assistance and is subject to recall at any time.

REQ'D	ITEM	PART NUMBER	DESCRIPTION	SYM.
HOGAN LIST OF MATERIAL				
FINAL APPROVAL		DATE	THE TECHNICAL MATERIEL CORP. MAMARONECK, NEW YORK RESISTOR, VARIABLE, WIREWOUND SUB-MIN, HUMIDITY PROOF	
MECH. DES.		DATE		
ELECT. DES.		DATE		
CHECKED		DATE		
DRAWN		DATE	SIZE	ISSUE
			B	Ø
			CODE IDENT. NO.	DWG NO.
			82679	RV 125
			SCALE	SHEET OF
				1