

DATE 11-18-60

SH. 1 OF 16

COMPILED BY

O.P.

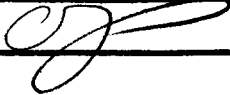
TMC SPECIFICATION NO. S 487

A

TITLE:

JOB

APPROVED



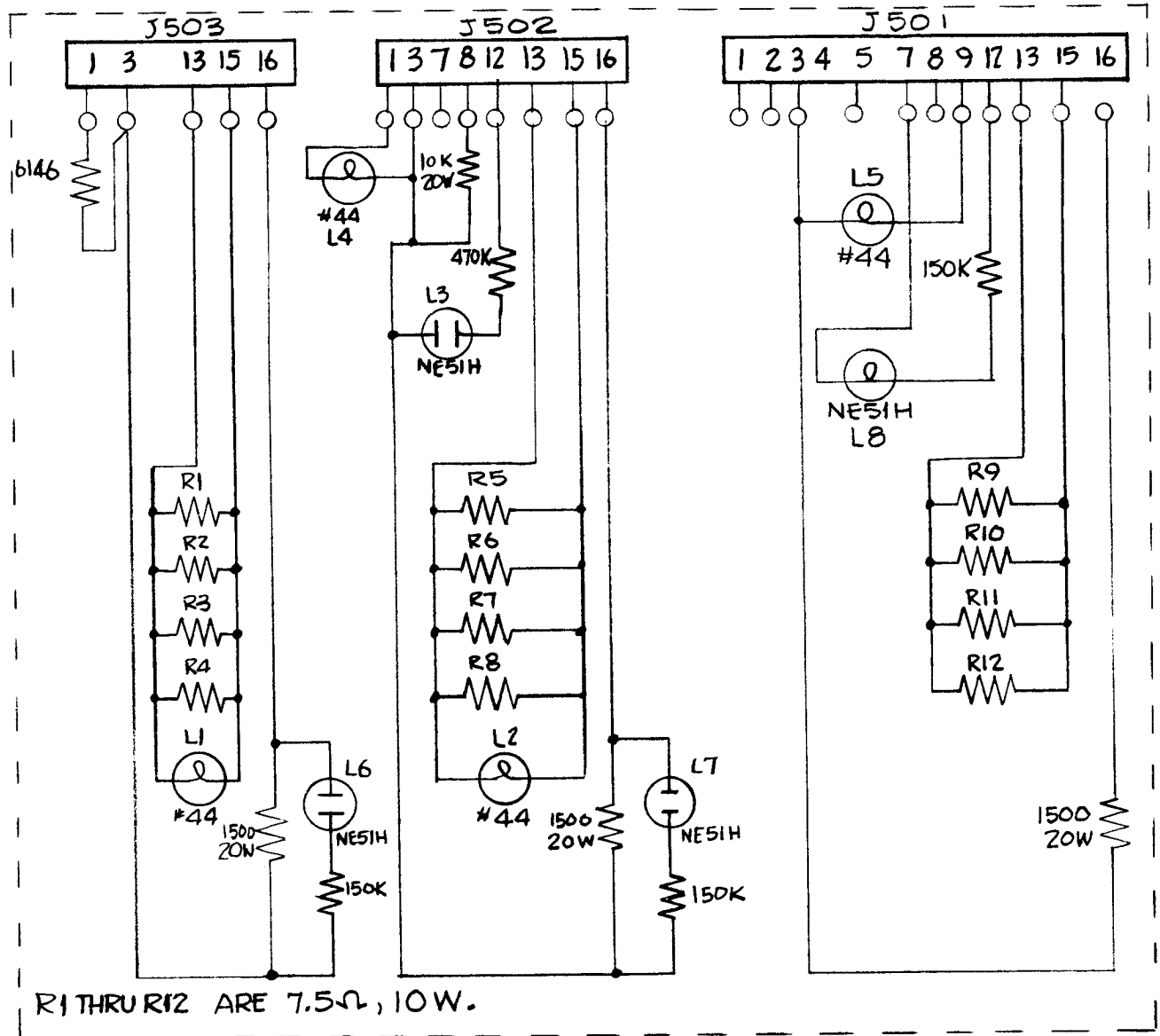
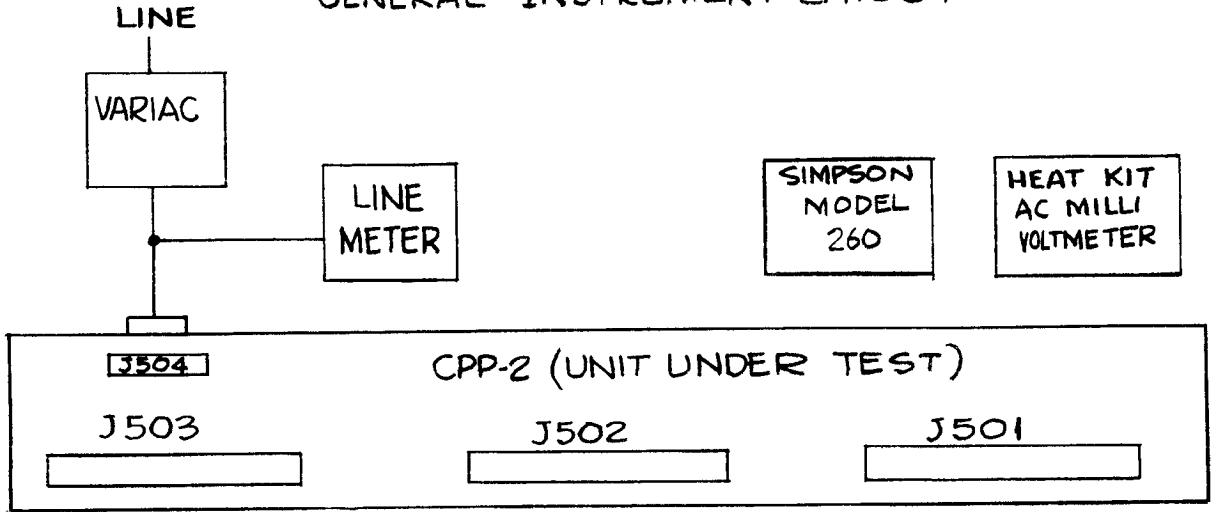
COMPLETE TEST INSTRUCTIONS

FOR

TMC MODEL CPP-2

APPROVED _____

GENERAL INSTRUMENT LAYOUT



DATE 11-18-60

SH. 3 OF 16

COMPILED BY

O.P.

TMC SPECIFICATION NO. S 487

A

TITLE:

JOB

APPROVED

A. GENERAL INSPECTION

1. Inspect the unit for obvious mechanical errors.
2. Inspect the unit for obvious electrical errors.
3. Check if CR 501 and CR 502 have been properly inserted.
4. Set Voltage Adjust pot., R514 approx. in the center.

DATE 11-18-60

SH. 4 OF 16

COMPILED BY

O.P.

TMC SPECIFICATION NO. S 487

A

TITLE:

JOB

APPROVED

B. Regulating Transformer T502.

1. Check all terminal connections at the transformer.

NOTE: For the test purposes it must be wired for 60 cps.
Damage to the transformer will otherwise result.

DATE 11-18-60

SH 5 OF 16

COMPILED BY

A P

TMC SPECIFICATION NO. S 487

A

TITLE:

JOB

APPROVED

✓ C. OVEN Circuitry.

1. Connect Test loads as shown in General Instrument Layout.
2. Place Power Switch in "stand-by" position.
3. Set Variac to 115v/60 cps.
4. The Stand-By pilot light must light. (The power-ON light-OFF).
5. With AC Voltmeter, measure voltage at J-502 (on the Test Jig) across terminals 7 and 12; it must be 115 VAC.
6. The L8 must light.
7. Place Power Switch in "Power".Position.
8. Observe L3, L5 and L6; this light must go on after approx. 60 seconds.
9. With AC Voltmeter measure Voltage at J502 across terminals 7 and 12; it must be 115 VAC.
10. With voltmeter still connected to terminals 7 and 12 at J-503, remove Oven Fuse, F-502; the voltage must disappear. Replace the fuse.

DATE 11-18-60

SH. 6 OF 16

COMPILED BY

O. B.

TMC SPECIFICATION NO. S 487

A

TITLE:

JOB

APPROVED

D. Filament Voltage Regulation.

6.3 VAC

1. The L1 and L2 must light.
2. Connect AC Voltmeter to terminals 13 and 15 at J501; it must be 6.0 - 6.5 VAC. Record this voltage in the Report Sheet.
3. Leave the meter connected as in step 2; set Variac for 100 VAC input, the meter must still read the same voltage as in step 2.
4. Set Variac for 130 VAC input, the meter must still read the same voltage as in step 2.
5. Set Variac for 115 VAC input.

TMC SPECIFICATION

NO. S 487

REV:

A

COMPILED: O.P.

CHECKED:

APPD:

SHEET 7

OF 16

TITLE:

E. 6.3v DC

1. The L4 and L5 must light.
2. Connect DC voltmeter to terminals 1 and 3 at J503 the voltage must be -5.8 to -6.8 volts; record this voltage in the Report Sheet and leave the voltmeter connected.
3. Set Variac to 100 VAC input; the DC Filament Voltage must not change by more than 0.1 volt below recorded voltage.
4. Set Variac to 130 VAC input; the DC Filament Voltage must not change by more than 0.1 volt above the recorded voltage.
5. Reset Variac for 115 VAC.

DATE 11-18-60

SH. 8 OF 16

COMPILED BY

O.P.

TMC SPECIFICATION NO. S

487

A

TITLE:

JOB

APPROVED

F. B+ Voltage Regulation.

1. The L6 and L7 must light.
2. Connect Voltmeter to terminals 16 and 3 at J501.
3. Set Voltage Adjust pot., R514 for 160v DC output, and leave the meter connected.
4. Set Variac to 100 VAC input. The DC Voltage must not drop below 156v DC.
5. Set Variac to 130 VAC input. The DC Voltage must not rise above 164vDC
6. Reset the Variac to 115 VAC.

DATE 11-18-60

SH. 9 OF 16

COMPILED BY

O.P.

TMC SPECIFICATION NO. S 487

A

TITLE:

JOB

APPROVED

G. Power Amplifier B+ Voltage.

1. Connect Voltmeter to terminals 8 and 3 at J502; the voltage must be 200 - 250 v DC.

DATE 11-18-60

SH. 10 OF 16

COMPILED BY

O.P.

TMC SPECIFICATION NO. S 487

A

TITLE:

JOB

APPROVED

H. Scope B+ Voltage.

1. Connect Voltmeter to terminals 8 and 3 at J501; the voltage must be 270 - 400v DC.

DATE 11-18-60
SH. 11 OF 16

TMC SPECIFICATION NO. S 487

A

COMPILED BY
O.P.

TITLE:

JOB

APPROVED

I. Scope B- Voltage.

1. Connect Voltmeter to terminals 5 and 3 at J501; the voltage must be 400 - 500v DC.
2. Remove Scope Fuse, F504, the voltage must disappear.
3. Replace the fuse.

DATE 11-18-60

SH. 12 OF 16

COMPILED BY

O.P.

TMC SPECIFICATION NO. S 487 A

TITLE:

JOB

APPROVED

J. B- Regulated Voltage.

1. Connect Voltmeter to terminals 4 and 3 at J501 the voltage must be 70 - 80 v DC.

DATE 11-18-60

SH. 13 OF 16

COMPILED BY

O.P.

TMC SPECIFICATION NO. S 487

A

TITLE:

JOB

APPROVED

K. Scope Filament Voltage.

1. With AC Voltmeter measure voltage between terminals 1 and 2 at J501. It must be 6.0 - 7.0 v AC.

DATE 11-18-60

SH. 14 OF 16

COMPILED BY
O.P.

TMC SPECIFICATION NO. S 487

A

TITLE:

JOB

APPROVED

L. Ripple Test.

1. With AC Mili-voltmeter measure following voltages in respect to terminal 3.

J - 501

<u>Terminal</u>	<u>AC Ripple Voltage</u>
16	.001 - .01 VAC
9	.01 - .1 VAC
8	.1 - 1 VAC
5	.02 - .12 VAC
4	.001 - .01 VAC

DATE 11-18-60
 SH. 15 OF 16
 COMPILED BY
 O B

TMC SPECIFICATION NO. S 487 A

TITLE: _____ JOB _____

APPROVED _____

NO LOAD

	PIN 1	PIN 2	PIN 3	PIN 4	PIN 5	PIN 6	PIN 7	PIN 8
V501	5.4	380	160	5.4	380	160	6.3 VAC	6.3 VAC
V502	5.4	380	160	5.4	380	160	6.3 VAC	6.3 VAC
V503	—	380	—	450 VAC	—	450 VAC	—	380
V504	-1.6	0	6.3 VAC	6.3 VAC	5.2	160	0	—
V505	0	-70	—	-70	0	—	-70	—

FULL LOAD

	PIN 1	PIN 2	PIN 3	PIN 4	PIN 5	PIN 6	PIN 7	PIN 8
V501	115	300	165	115	300	165	6.3 VAC	6.3 VAC
V502	115	300	165	115	300	165	6.3 VAC	6.3 VAC
V503	—	310	—	415 VAC	—	415 VAC	—	310
V504	-3.6	0	6.3 VAC	6.3 VAC	110	160	0	—
V505	0	-70	—	-70	0	—	-70	—

ALL VOLTAGES EXCEPT FILAMENT VOLTAGES MEASURED TO CHASSIS GROUND.

ALL VOLTAGES ARE ±10%.

DATE _____
SH. 16 OF 16
COMPILED BY _____

TMC SPECIFICATION NO. S 487

A

TITLE: _____ JOB _____

APPROVED

CPP-2 TEST REPORT SHEET

ACCEPTED

- A. GENERAL INSPECTION: _____
- B. REGULATING TRANSFORMER, T 502: _____
- C. OVEN CIRCUITRY _____
- D. A. C. FILAMENT VOLTAGE REGULATION: _____
6.0 - 6.5 VAC
Must not vary more than ± 0.1 VAC. from recorded value at 115VAC
_____ (100 VAC input) _____ (115 VAC input) _____ (130 VAC input)
- E. DC FILAMENT VOLTAGE REGULATION: _____
-5.8 to -6.8 VDC
Must not vary more than ± 0.1 VDC from recorded value at 115VAC
_____ (100 VAC input) _____ (115 VAC input) _____ (130 VAC input)
- F. B+ VOLTAGE REGULATION: _____
100 VAC input _____ (160 - 4VDC)
115 VAC input _____ (160 \pm 0VDC)
130 VAC input _____ (160 + 4VDC)
- G. POWER AMPLIFIER B+ VOLTAGE _____
_____ (200 - 250 VDC)
- H. SCOPE B+ VOLTAGE: _____
_____ (270 - 400 VDC)
- I. SCOPE B- VOLTAGE: _____
_____ (-400 to -500 VDC)
- J. B- REGULATED VOLTAGE: _____
_____ (-70 to -80 VDC)
- K. SCOPE FILAMENT VOLTAGE: _____
_____ (6.0 - 7.0VAC)
- L. RIPPLE TEST: _____
(160 VAC B+) _____ (.001- .01 VAC)
(D.C. Filament) _____ (.01- .1 VAC)
(Power amplifier B+) (.1 - 1 VAC)
(Scope B-) _____ (.02- .12 VAC)
(B- Regulated) _____ (.001- .01 VAC)

