

IF IT IS FOUND DESIRABLE TO CHANGE ANY TOLERANCE OR OTHER DETAIL SPECIFIED ON THIS DRAWING NOTIFY THE PURCHASER PROMPTLY.

MAXIMUM ALLOWABLE TOLERANCES HAVE BEEN DETERMINED AND DEVIATIONS WILL BE CAUSE FOR REJECTION. REMOVE ALL BURRS AND SHARP EDGES

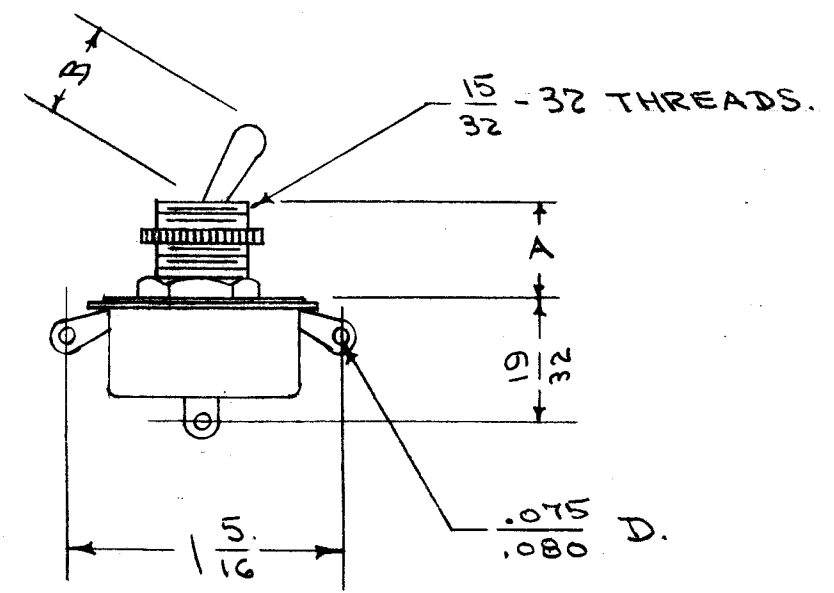
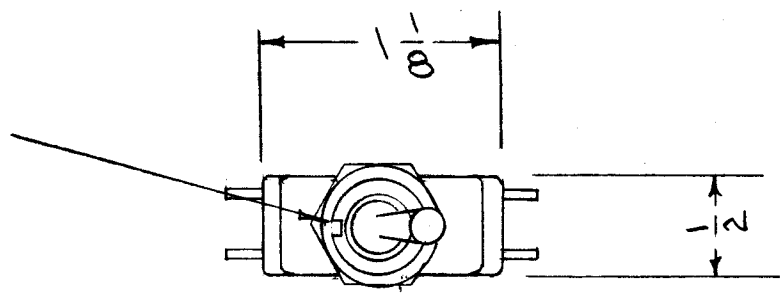
TMC NO.	CAT. NO.	TYPES OF TERMINALS	POLES CIRCUIT	NOMINAL RATING AC OR DC	
ST-103-1	OBSOLETE	---	---	---	USE ST103-5
-2	↑	---	---	---	USE ST103-6
-3	↓	---	---	---	USE ST103-8
-4	OBSOLETE	---	---	---	USE ST103-9
-5	110	LUGS - END	SP-ST	3A-250V 6A-125V	
-6	110-B	" - BTM			
-7	110-D	" - 2 ENDS			
-8	110-S	SCREW			
-9	111-16	WIRE			
-10	111-D	" - 2 ENDS			
-11	112	LUGS - END	SP-DT		
-12	112-A	WIRE			
-13	216	LUGS - END	DP-ST		
-14	216-A	WIRE			
-15	216-B	LUGS - BTM.			
-16	316	LUGS - BTM.	DP-DT	1A-250V 3A-125V	
-17	316-A	WIRE			
-18	316-B	LUGS - BTM			
-19	516	LUGS - END	TWO CIRCUIT		
-20	516-A	WIRE			
-21	516-B	LUGS - BTM.			
-22	2BB62	LUGS - END	SP-DT	3A-250V 6A-125V	
-23	2BK62	LUGS - END	DP-ST		
-24	2BL62	LUGS - END	DP-DT		
-25	2BL63	" - BTM.			
-26	160	LUGS - END	SP-ST	10A-125V 5A-250V	
-27	160-A	WIRE			
-28	160-B	LUGS - BTM			
-29	160-S	SCREW			

STANDARD DRAWING

ST-103 C

NOTE - DIAGRAM BELOW SHOWS LARGEST DIMENSIONS IN THIS SERIES OF SWITCHES. ALL HAVE SAME ONE HOLE MOUNTING. (31/64)

KEYWAY .068 X .035



DIMENSIONS FOR REF. ONLY.  
MOUNTING NUTS FURNISHED.

TOGGLE TYPE & LENGTH "B"	STEM LENGTH "A"	SUFFIX NO.
BALL	1/4	-21
	11/32	-22
	15/32	-23
	7/8	-25
	11/32	-62
	15/32	-63
BAT 1/16	15/32	-73

TYPE DESIGNATION TO BE IN FOLLOWING FORM

TMC NO. \* SUFFIX  
ST-103-16-62  
(MFG. NO. 316-62)

NOTICE TO PERSONS RECEIVING THIS DRAWING

THE TECHNICAL MATERIEL CORPORATION claims proprietary right in the material disclosed hereon. This drawing is issued in confidence for engineering information only and may not be reproduced or used to manufacture anything shown hereon without permission from THE TECHNICAL MATERIEL CORPORATION to the user. This drawing is loaned for mutual assistance and is subject to recall at any time.

Property of:  
THE TECHNICAL MATERIEL CORPORATION  
MAMARONECK, NEW YORK

REF: 5401-315

REQ. ITEM	PART NO.	DESCRIPTION	SYMBOL
		THE TECHNICAL MATERIEL CORP. MAMARONECK, NEW YORK	
		STOCK SIZE	
		MATERIAL	WEIGHT PER PC.
		TYPE & TEMPER	
		HEAT TREAT. SPEC.	
		FINISH & SPEC. NO.	

C	ST103-1 THRU -4 OBS.	6296718298	L.A.K.	RH			
B	1/REF. WAS CARLING ELECT. INC. ST-103 SHALL NOT BE USED DELE	92.6412270	WB	SE			
A	NOTE ADDED	12-5-62 7776	WB	WB			
ISSUE	ITEM	CHANGED FROM	DATE	CN. NO.	DRAFTS	CHECKER	ENG. APP.
TOLERANCES		SCALE:					
ALL OTHERS	DEC. DIM. ± FRAC. DIM. ± ANGULAR DIM. ±	DRILL, PUNCH, COMMERCIAL STOCK SIZES AND MANUFACTURERS TOLERANCES ARE NOT INCLUDED.					
REQ. PER UNIT	MODEL	PROJECT NO.	ASS'Y. NO.	DATE			
USED ON							

ST-103/C