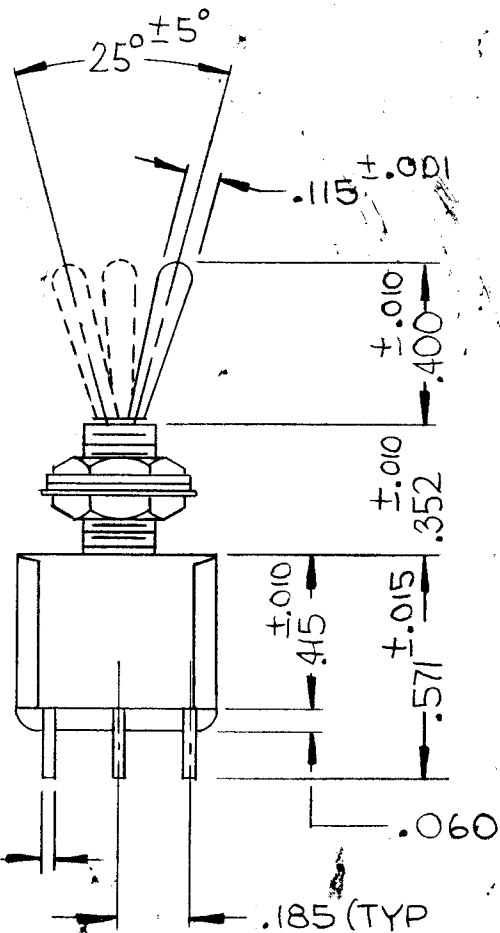


.190 C TO C (TYP)



ST108

REVISIONS

SYM	DESCRIPTION	DATE	E.M.N. NO.	DRAFT	CHKD	APPD
XI	DWG. NO. WAS SW435	9-21-66	---	Jc	Jcb	Jc
Ø	ORIGINAL RELEASE FOR PRODUCTION	9-28-66	Ø	RME		

SPECIFICATIONS

TYPE: FOUR POLE DOUBLE THROW, (ON NONE ON)

CONTACT RATING: 5 AMPERES RESISTANCE LOAD @110 VAC
5 AMPERES RESISTANCE LOAD @24 VDC

INSULATION RESISTANCE: 1000 MEGOHMS MINIMUM

DIELECTRIC STRENGTH: 1000 VOLTS RMS AT SEA LEVEL

ELECTRIC LIFE: 100,000 MAKE-AND-BREAK CYCLES MIN.

INITIAL CONTACT RESISTANCE: 20 MILLIOHMS MAX AT 2-4 VDC, 1 AMP

WEIGHT: 8.0 GRAMS

CASE MATERIAL: GENERAL PURPOSE PHENOLIC

CONTACTS: COIN SILVER (90% Ag-10% Cu)

TOGGLE ARM: BRIGHT CHROME PLATED BRASS

CONTACTS MAKE ON OPPOSITE SIDE FROM WHICH TOGGLE ARM IS THROWN.

STANDARD HARDWARE SUPPLIED:
2 HEX MOUNTING NUTS
1 INTERNAL TOOTH LOCKWASHER
1 KEYED POSITIONING RING

REQ'D.	ITEM	PART NUMBER	DESCRIPTION	SYMBOL
LIST OF MATERIAL				
MATERIAL		THE TECHNICAL MATERIEL CORP. MAMARONECK, NEW YORK		
FINISH		TITLE SWITCH, TOGGLE		
UNLESS OTHERWISE SPECIFIED DIMENSIONS ARE IN INCHES AND INCLUDE CHEMICALLY APPLIED OR PLATED FINISHES		DRAWN <i>WTO</i> CHECKED <i>JCB</i> ELECT. DES. <i>JCB</i> MECH. DES.	DATE 9-20-66 DATE DATE 9/27/66 DATE	FINAL APPROV. <i>[Signature]</i> DATE 9/28/66 SHEET REV. LTR.
DECIMALS .X ± .05 .XX ± .01 .XXX ± .005	TOLERANCES	FRACTIONS ± 1/64 ANGLES ± 0° 30'	ST108	

RFA-1C	
Q'TY./UNIT	MODEL USED ON
SCALE	CODE
	S401-435 (7400)

THE CONTENTS OF THIS DRAWING ARE THE EXCLUSIVE PROPERTY OF THE TECHNICAL MATERIEL CORP. ITS UNAUTHORIZED USE OR REPRODUCTION IN WHOLE OR IN PART IS STRICTLY FORBIDDEN.

NOTES