

DESG	DIMENSION	TOL ±	REMARKS
A			FOOT MOUNT ONLY
B			FOOT MOUNT ONLY
C	100		FLANGE MOUNT ONLY
D	13/8		FLANGE MOUNT ONLY
E			MAX OVER CLIPS
F			FROM REAR PLATE TO SHAFT END
G			TOTAL LENGTH FOR FOOT MOUNT
H			FOOT MOUNT ONLY
I			
J			
K			
L			LAST WAFER TO REAR PLATE
M	111/16		TOTAL LENGTH
N			
P			

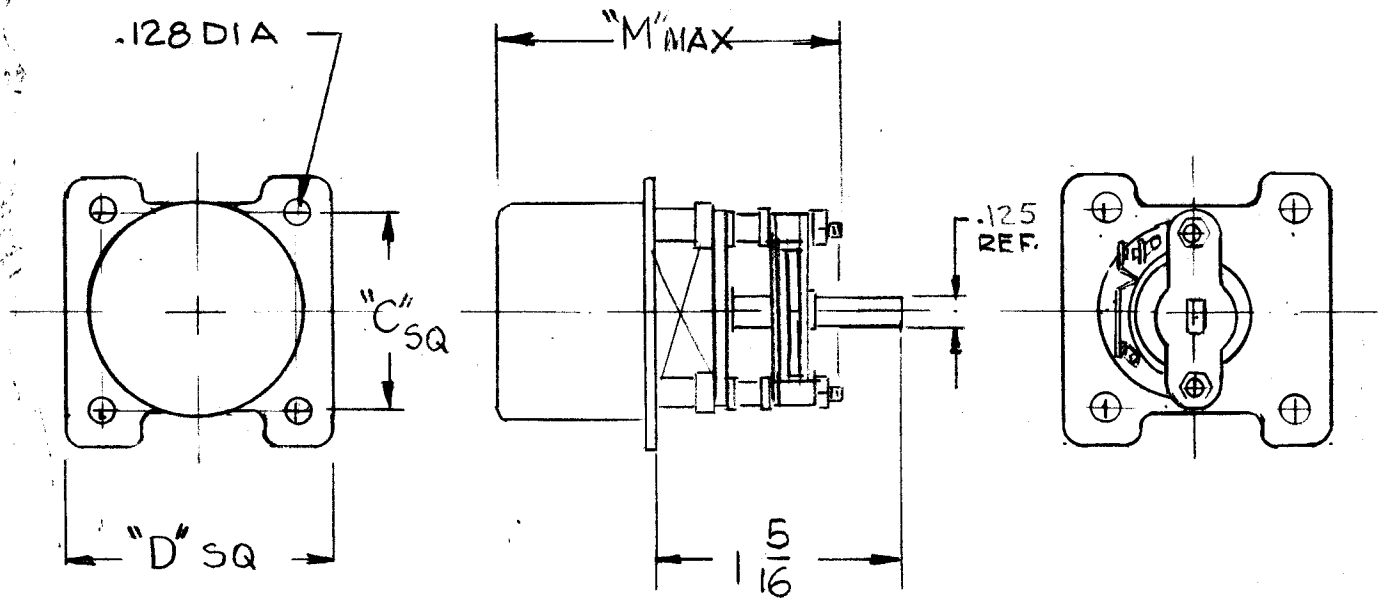
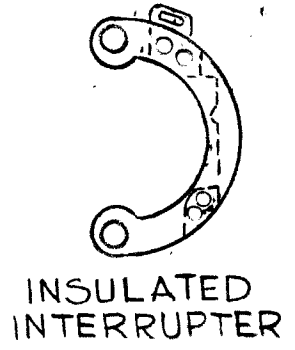
MANUFACTURES P/NO. 170503-001

						REVISIONS		
E.M.N. NO.	DRAFT	CHKD	ZONE	LTR	DESCRIPTION	DATE	APPROVED	
				X	EXP RELEASE			
	JP			0	ORIGINAL RELEASE FOR PRODUCTION	5/20/75		

SWITCH SPECIFICATIONS

MECHANICAL

ROTATION OF SOLENOID (VIEWED FROM SOLENOID END) CW X CCW
 NO. OF SECTIONS:
 NO. OF POSITIONS:
 ANGLE OF THROW:
 TYPE MOUNTING: FLANGE X FOOT
 SOLENOID CONNECTIONS: SOLDER LUG — WIRE X



ELECTRICAL SPECS:

CURRENT RATING: CARRY 3 AMPS RESISTIVE MAX
 BREAK @ 24 VOLTS: 1.2 AMP RESISTIVE MAX
 BREAK @ 115 VOLTS: .25 AMP RESISTIVE MAX

COIL SPECIFICATIONS

SOLENOID SIZE: 2E
 COIL RESISTANCE @ 20°C
 VOLTAGE: 28V ± 10%
 GROSS STARTING TORQUE @ 20°C
 DUTY CYCLE:
 ROTARY STROKE ANGLE:
 ELECTRIC STRENGTH
 DUST COVER: WITH — W/OUT X

1	GPR 110	A5606
QTY / UNIT	MODEL USED ON	ASS'Y NO.
APPLICATION		
	CODE	

NOTICE TO PERSONS RECEIVING THIS DRAWING
 THE TECHNICAL MATERIEL CORPORATION claims proprietary right in the material disclosed hereon. This drawing is issued in confidence for engineering information only and may not be reproduced or used to manufacture anything shown hereon without permission from THE TECHNICAL MATERIEL CORPORATION to the user. This drawing is loaned for mutual assistance and is subject to recall at any time.

UNLESS OTHERWISE SPECIFIED DIMENSIONS ARE IN INCHES AND INCLUDE CHEMICALLY APPLIED OR PLATED FINISHES

DECIMALS: .X ± .05, .XX ± .01, .XXX ± .005
 FRACTIONS: 1/64, ANGLES: 0°-30'
 TOLS.

MATERIAL
 FINISH

REQ'D	ITEM	PART NUMBER	DESCRIPTION	SYM.
LIST OF MATERIAL				
FINAL APPROVAL: <i>[Signature]</i> DATE: 5/17/75				
MECH. DES. DATE				
ELECT. DES. DATE				
CHECKED: <i>[Signature]</i> DATE				
DRAWN: G. DeLuca DATE: 10-1-74				
THE TECHNICAL MATERIEL CORP. MAMARONECK, NEW YORK				
SOLENOID ROTARY				
SIZE	CODE IDENT. NO.	DWG NO.	ISSUE	
B	82679	SZ 105	0	
SCALE	SHEET		OF	