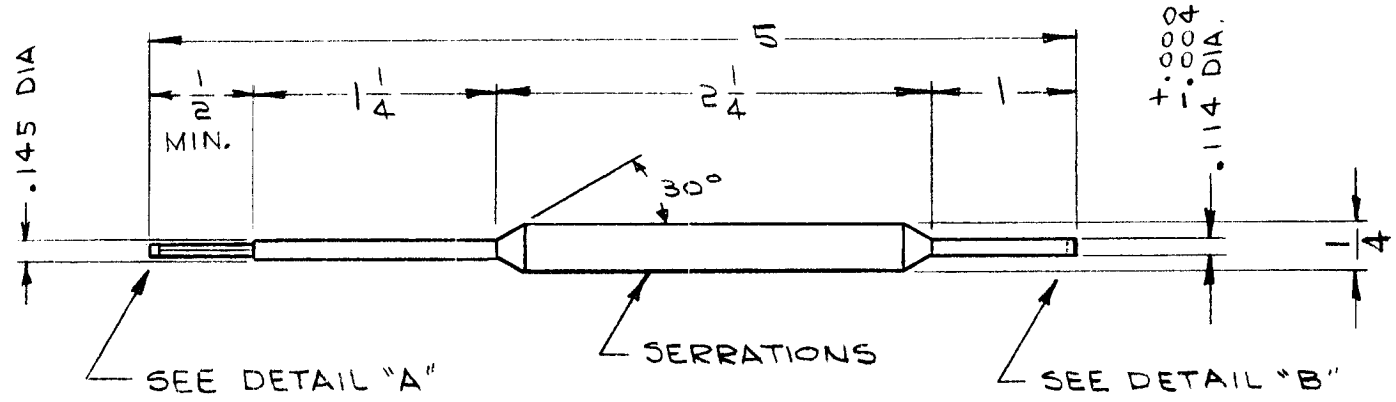
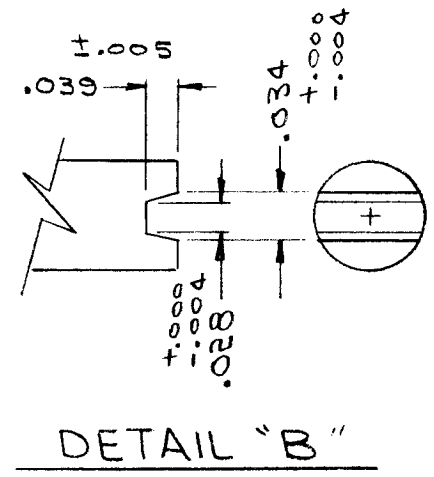
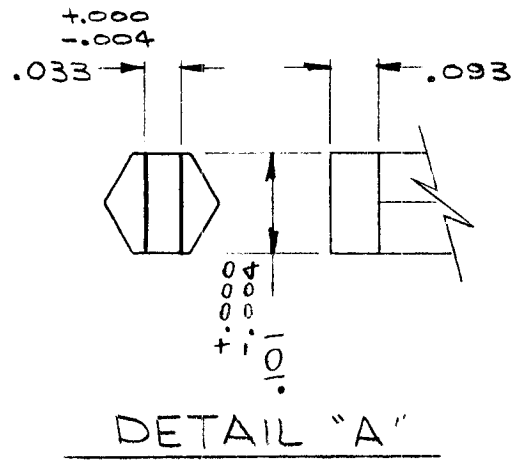


REQ. PER UNIT	USED ON			TP127	A
	MODEL	ASS'Y. NO.	DATE		
1	VLFC-1		9-3-64		



NOTE: FRACTIONAL DIMENSIONS ARE FOR REFERENCE ONLY.



A	PICT: "MIN" ADD. TO 1/2 DIM.; "REF" DELE. FR. 1" DIM.; .250 ± .010 DIA. DELE. 1/4" ADD; NOTE ADD; FRACT. & TOL. DELE. S401-213 ADD; OR EQUIV. ADD TO MATL BLK.	12-30-64	13211	ZE			REQ. ITEM	PART NO.	GELLMAN	DESCRIPTION	SYMBOL	
Ø	ORIGINAL RELEASE FOR PRODUCTION	9-9-64	Ø				STOCK SIZE		THE TECHNICAL MATERIEL CORP. MAMARONECK, NEW YORK			
X	EXPER. RELEASE	9-3-64	X				DELRIN OR EQUIVALENT		TOOL, ALIGNMENT			
SYM	DESCRIPTION	DATE	CH. NO.	DRAFTS	CHECKER	ENG. APP.	MATERIAL					
UNLESS OTHERWISE SPECIFIED DIMENSIONS ARE IN INCHES AND INCLUDE CHEMICALLY APPLIED OR PLATED FINISHES		SCALE					TYPE & TEMPER		HEAT TREAT. SPEC.	DRAWN	CHECKED	FINAL APPROVAL
DECIMALS .X ± .05 .XX ± .01 .XXX ± .005	FRACTIONS TOLERANCES	ANGLES	CODE C	S401-206 (B501) S401-213			FINISH & SPEC. NO.		ELEC. DES. APP.	MECH. DES. APP.	TP127 A	