

TMC PART NO.	LENS COLOR	DIALCO CAT. NO.
TS-129-1	RED	755-UG21 w/3/8 SHANK
-2	GREEN	755 UG22 w/3/8 SHANK
-3	AMBER	755 UG23 w/3/8 SHANK
-4	BLUE	755 UG24 w/3/8 SHANK
-5	WHITE TRANSLUC.	755 UG25 w/3/8 SHANK
-6	YELLOW	755 UG26 w/3/8 SHANK
-7	CLEAR COLORLESS	755 UG27 w/3/8 SHANK

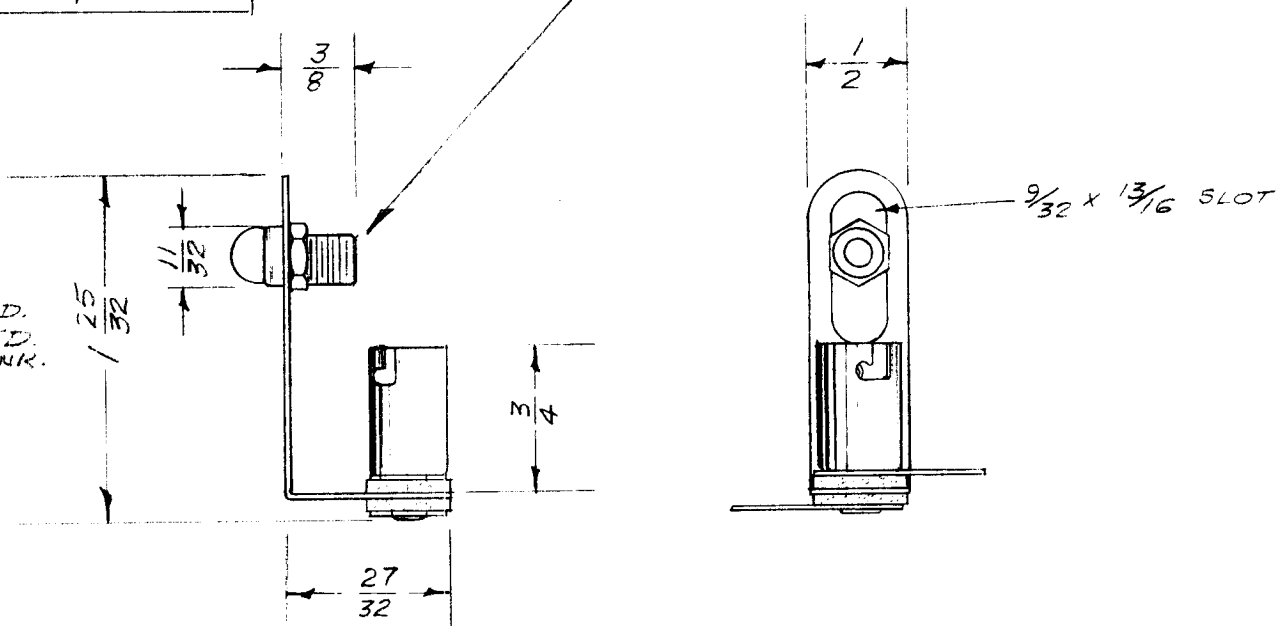
REQ. PER UNIT	USED ON		
	MODEL	ASS'Y. NO.	DATE
			TS-129
			A

STANDARD DRAWING

9/32 - 32 Thread x 3/8 SHANK

NOTES:

1. ADJUSTABLE FOCAL LENGTH
2. PANEL HARDWARE, NICKEL PLATED.
OTHER PARTS, CADMIUM PLATED.
3. CONVEX, FROSTED LENS W/3/8 SHANK.
4. NUT SUPPLIED BY MFG.
5. BAYONET SOCKET



REF: DIALCO.

ISSUE	ITEM	CHANGED FROM	DATE	CH. NO.	DRAFTS	CHECKER	ENG. APP.	REQ. ITEM	PART NO.	DESCRIPTION	SYMBOL						
										THE TECHNICAL MATERIEL CORP. MAMARONECK, NEW YORK LIGHT, INDICATOR							
A	1	DIALCO CAT. NOS. ADDED	3/27/58	1													
TOLERANCES			SCALE:					MATERIAL		DRAWN							
DEC. DIM. ±			MAXIMUM ALLOWABLE TOLERANCES HAVE BEEN DETERMINED AND ANY DEVIATIONS WILL BE CAUSE FOR REJECTION. REMOVE ALL BURRS AND SHARP EDGES					TYPE & TEMPER		HEAT TREAT. SPEC.		DRAWN		CHECKED		FINAL APPROVAL	
FRAC. DIM. ±								FINISH & SPEC. NO.		ELEC. DES. APP.		MECH. DES. APP.					
ANGULAR DIM. ±																	
												A. J. J.		TS-129		A	