

— INSULATOR MATERIAL —	
SYMBOL	MATERIAL
G	Bakelite, General Purpose
M	Bakelite, Mica Filled
C	Ceramic

— CHART 1 —

— CONTACT MATERIAL —	
SYMBOL	MATERIAL & FINISH
B	Brass, Cadmium Plate
P	Phosphor Bronze, Cad. Plate
S	Beryllium Copper, Silver Plate
T	Brass, Hot Tin Dipped

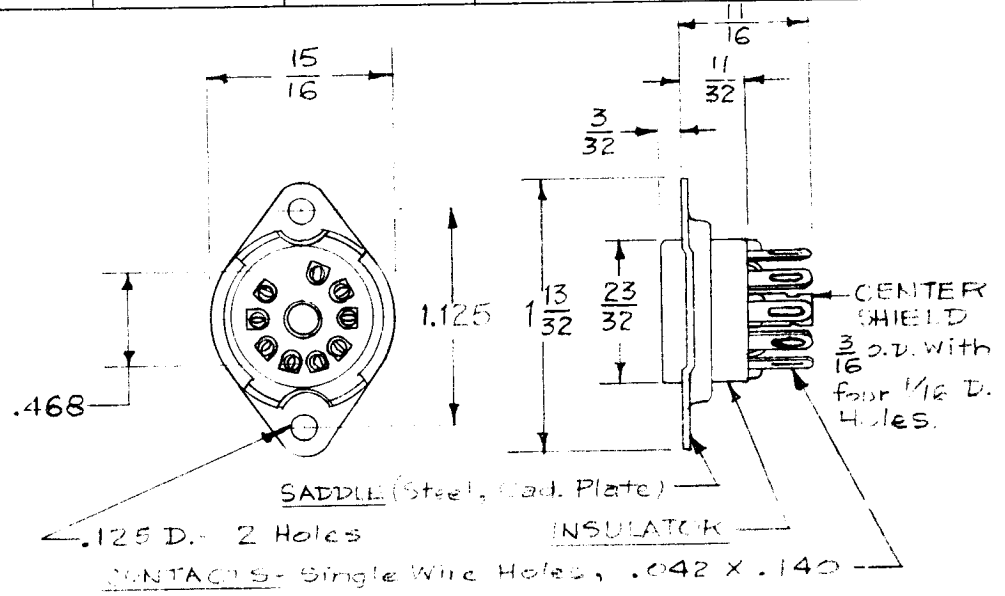
— CHART 2 —

— CENTER SHIELD —	
SYMBOL	DESCRIPTION
W	With Center Shield
N	W/O Center Shield

— CHART 3 —

REQ. PER UNIT	USED ON		
	MODEL	ASSY. NO.	DATE

TS-131 A



TYPE DESIGNATION

TS-131 - G - B - W

TMC PART NO. (9 Pin Socket) (Commercial)	INSULATOR MATERIAL (See Chart 1)	CONTACT MATERIAL (See Chart 2)	CENTER SHIELD (See Chart 3)

ISSUE	ITEM	CHANGED FROM	DATE	CH. NO.	DRAFTS	CHECKER	ENG. APP.
A		CLERICAL CHANGE	8-24-64		htb	@	
TOLERANCES			SCALE:				
DEC. DIM. ± .005			MAXIMUM ALLOWABLE TOLERANCES HAVE BEEN DETERMINED AND ANY DEVIATIONS WILL BE CAUSE FOR REJECTION. REMOVE ALL BURRS AND SHARP EDGES				
FRAC. DIM. ±							
ANGULAR DIM. ±							

REQ. ITEM	PART NO.	DESCRIPTION	SYMBOL
		THE TECHNICAL MATERIEL CORP. MAMARONECK, NEW YORK	
		STOCK SIZE	
		SOCKET, ELECTRON TUBE	
		9 PIN MINI, BOTTOM MTS.	
		MATERIAL	
		164-28-117	
		PLK	
		TYPE & TEMPER	
		HEAT TREAT. SPEC.	
		DRAWN	
		CHECKED	
		FINISH & SPEC. NO.	
		ELEC. DES. APP.	
		MECH. DES. APP.	
			TS-131 A