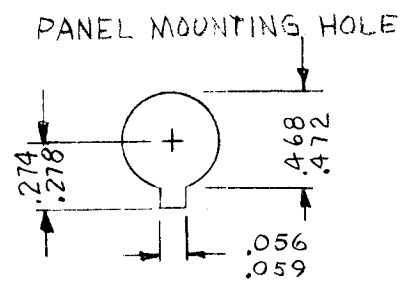
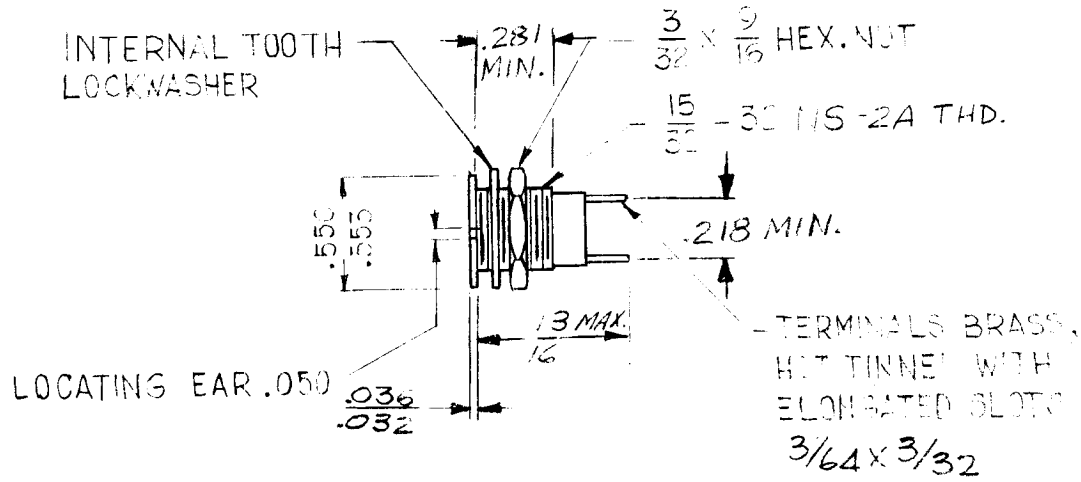


THE CONTENTS OF THIS DRAWING ARE THE EXCLUSIVE PROPERTY OF THE TECHNICAL MATERIEL CORP. ITS UNAUTHORIZED USE OR REPRODUCTION IN WHOLE OR IN PART IS STRICTLY FORBIDDEN.

REQ. PER UNIT	USED ON		
	MODEL	ASS'Y. NO.	DATE
1	HFS-1	3000	8-15-62

TS 159 B

NOTE -
SPARE PARTS REPLACEMENT LAMP
HOLDER FOR TMC PART TS 153, TS 156



C 5401-410
5401-153 (162-8430)

MIL TYPE MS 25256

SYM	DESCRIPTION	DATE	CH. NO.	DRAFTS	CHECKER	ENG. APP.	REQ. ITEM	PART NO.	J. STRUMER	DESCRIPTION	SYMBOL	
B	MTG HOSE ADDED, NOTES REV.	10/30/67	18579	NY	1/2	EFM				THE TECHNICAL MATERIEL CORP. MAMARONECK, NEW YORK.		
A	COMPLETELY REVISED	11/16/67	15142	EV	Q/B	PC				LAMP HOLDER SUB-MINIATURE		
UNLESS OTHERWISE SPECIFIED: DIMENSIONS ARE IN INCHES TOLERANCES ON FRAC. ± 1/64 DEC. ± .005 ANGLES ± 1/2°							SCALE: DO NOT SCALE		DRAWN GDL			
MAXIMUM ALLOWABLE TOLERANCES HAVE BEEN DETERMINED AND ANY DEVIATIONS WILL BE CAUSE FOR REJECTION. REMOVE ALL BURRS AND SHARP EDGES							TYPE & TEMPER HEAT TREAT. SPEC.		CHECKED JMA		FINAL APPROVAL TS 159 B	
							FINISH & SPEC. NO.		ELEC. DES. APP. MECH. DES. APP.			