

CHART 1

SYMBOL	INSULATOR MATERIAL
P	LOW LOSS PHENOLIC
S	STEATITE

CHART 2

SYMBOL	CONTACTS MATERIAL
B	BRASS CAD. PLATE
P	PHOSPHOR BRONZE SILVERPLATE HOT TINNED
S	BERYLIUM COPPER SILVER PLATE HOT TINNED

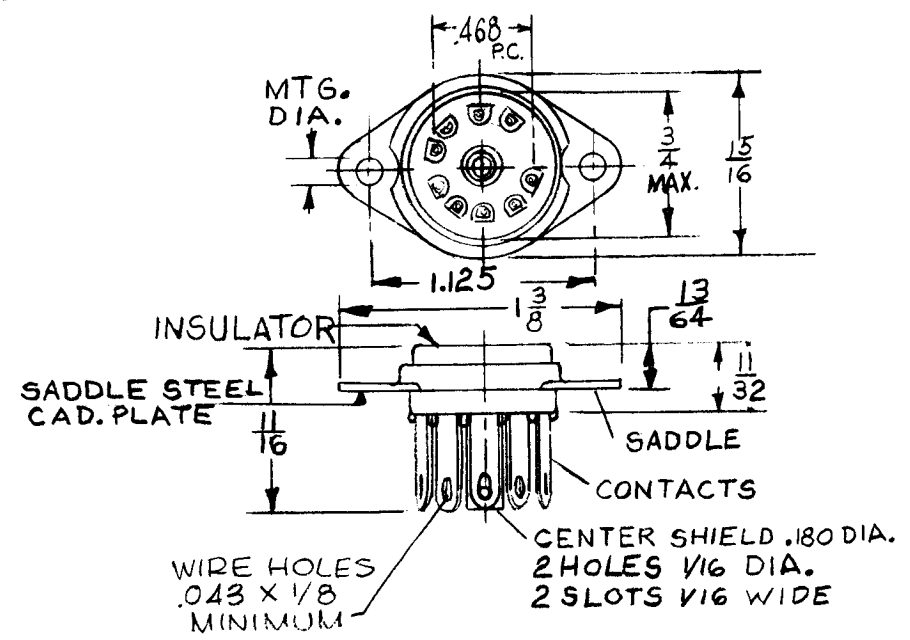
CHART 3

SYMBOL	CENTER SHIELD
W	BRASS CAD. PLATE
N	NONE

S 401-181 { 9739-7 OR EQUIV }
 S 401-176 }
 S 401-379 }

REQ. PER UNIT	USED ON		
	MODEL	ASS'Y. NO.	DATE
			6-16-65

TS 179 Ø



TMC PART #

TS179	P	P	W
BASIC P/N	INSULATOR MATERIAL	CONTACT MATERIAL	CENTER SHIELD
	CHART 1	CHART 2	CHART 3

SADDLE MATERIAL STEEL CAD. PLATE.

REQ. ITEM	PART NO.	DESCRIPTION	SYMBOL
		THE TECHNICAL MATERIEL CORP. MAMARONECK. NEW YORK	
		TUBE SOCKET 9 PIN MINIATURE	
		TOP MOUNT	
		DRAWN: JCS	
		CHECKED: JCS	
		FINAL APPROVAL: [Signature]	
		DATE: 6-16-65	TS 179
			Ø