

SYMBOL	FUNCTION	REQ. PER. UNIT	USED ON		
			MODEL	FREQ.	DATE
L1	2 <sup>ND</sup> RF BAND 1	1	GPR-90-RXD	54-14 MC	5-23-60

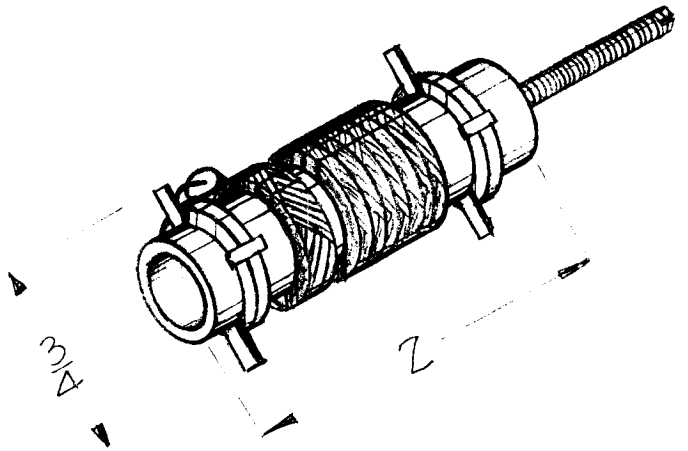
TT-101

> SPECIFICATIONS <

Q - SEC. - 60 or Greater  
 PRI. - 45 or Greater

L<sub>wh</sub> - SEC. - 195 (185-205)  
 PRI. - 138 (130-148)

FREQ - SEC. - 790 KC  
 PRI. - 790 KC



							REQ. ITEM	PART NO.	DESCRIPTION			SYMBOL			
							STOCK SIZE		THE TECHNICAL MATERIEL CORP. MAMARONECK, NEW YORK						
							MATERIAL		TRANSFORMER, RF, TUNED						
ISSUE	ITEM	CHANGED FROM	DATE	CH. NO.	DRAFTS	CHECKER	ENG. APP.	MATERIAL		DRAWN	CHECKED	FINAL APPROVAL			
TOLERANCES			SCALE: 2A-18P2					TYPE & TEMPER		HEAT TREAT. SPEC.		TT-101			
DEC. DIM. ±			MAXIMUM ALLOWABLE TOLERANCES HAVE BEEN DETERMINED AND ANY DEVIATIONS WILL BE CAUSE FOR REJECTION. REMOVE ALL BURRS AND SHARP EDGES					FINISH & SPEC. NO.		ELEC. DES. APP		MECH. DES. APP			
FRAC. DIM. ±															
ANGULAR DIM. ±															