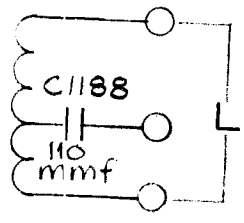
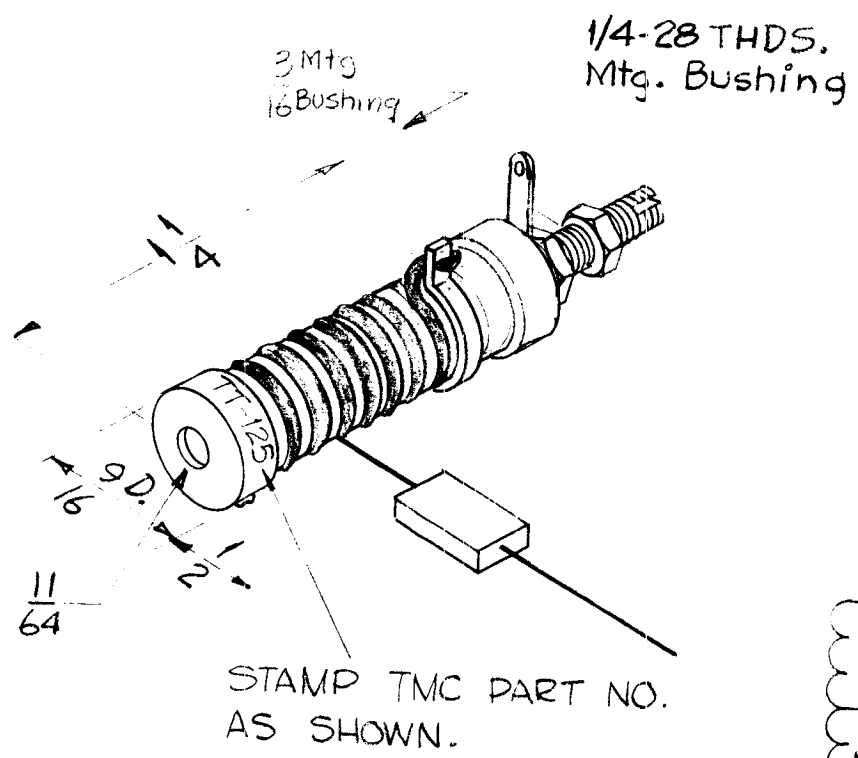


REQ. PER. UNIT	USED ON			TT-125
	MODEL	SYMBOL	DATE	
1	CHG-1	T1105	12-15-60	

ELECTRICAL SPECIFICATIONS  
 L-.40 (.39-.41) Microhenries in AIR.

Q-170 or Greater  
 FREQ (TEST) - 25 MCG.  
 OPER. FREQ. - 15.75-33.75 MC

MECHANICAL SPECIFICATIONS  
 TOTAL TURNS - 6 1/2  
 TAP - 2 TURNS  
 WIRE - No.16 BUSS  
 TUNING SLUG - POWDERED IRON  
 FORM - PHENOLIC



							REQ.	ITEM	PART NO.	DESCRIPTION		SYMBOL	
										THE TECHNICAL MATERIEL CORP. MAMARONECK, NEW YORK			
							STOCK SIZE			TRANSFORMER, RF, TUNED			
							MATERIAL			15.75 - 33.75 MC			
ISSUE	ITEM	CHANGED FROM	DATE	CH. NO.	DRAFTS	CHECKER	ENG. APP.				D. J. [Signature]	[Signature]	
TOLERANCES			SCALE:		2A-2039								
DEC. DIM. ± FRAC. DIM. ± ANGULAR DIM. ±			MAXIMUM ALLOWABLE TOLERANCES HAVE BEEN DETERMINED AND ANY DEVIATIONS WILL BE CAUSE FOR REJECTION. REMOVE ALL BURRS AND SHARP EDGES										
							FINISH & SPEC. NO.		ELEC. DES. APP		MECH. DES. APP		TT-125