

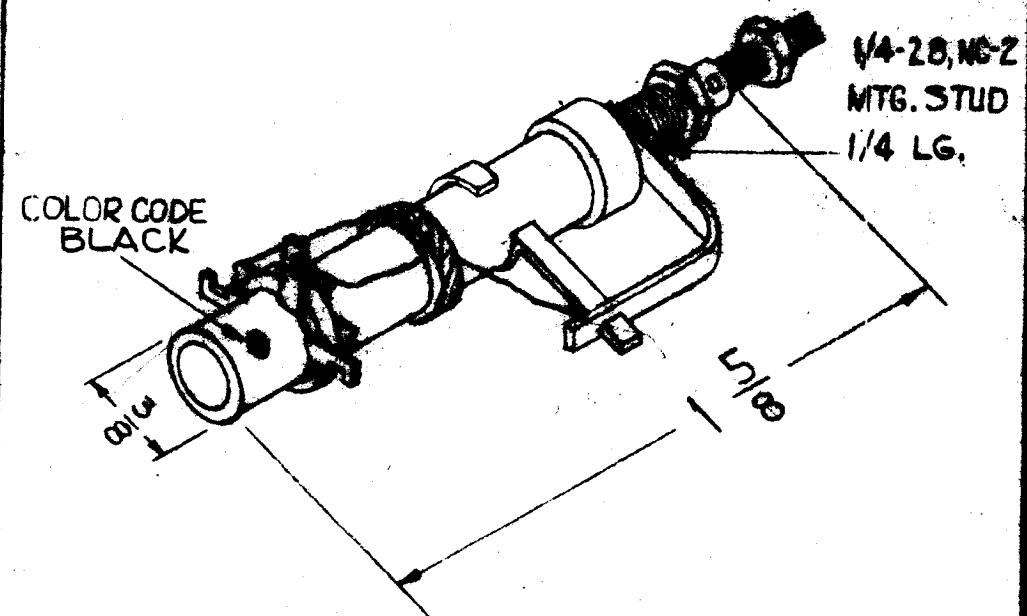
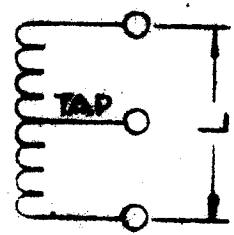
ELECTRICAL SPECIFICATIONS

L - 25.5 (23.5-27.5) Microhenries
 Q - 40 or greater
 FREQ. (Test) - 2.5 Mcs
 OPER. FREQ. - 2-4 Mcs

MECHANICAL SPECIFICATIONS

TOTAL TURNS - 42
 TAP - 8 turns
 WIRE - WI-104-541DSQS
 TUNING SLUG - Powdered Iron
 FORM - Phenolic

REV. NO.	FORM	DATE	TT-134	A
1	GP	7-6-61		



REV.	ISSUE	DATE	CH. NO.	BY	CHKD.	ENG. APP.	DESCRIPTION	SYMBOL
A	1	8/30/61	5520	I.E.	ab	SPM	TRANSFORMER, RF TUNED	
ON ELECT. SPECS. Q. 12AS 80 CHANGED FROM TOLERANCES SCALE: 2A-3021							THE TECHNICAL MATERIAL COMP. MANHATTAN, NEW YORK R 4220 11/0	
DEC. DIM. ± FRAC. DIM. ± ANGULAR DIM. ±							MARKING ALLOWABLE TOLERANCES HAVE BEEN DETERMINED AND ANY DEVIATIONS WILL BE CAUSE FOR REJECTION. INSURE ALL SURFS ARE PROTECTED.	TT-134 A