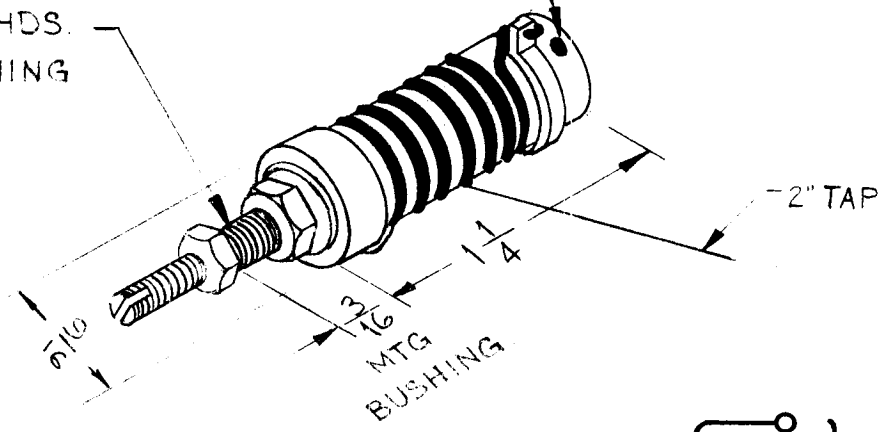


REQ. PER. UNIT	USED ON			TT-139
	MODEL	ASS'Y. NO.	DATE	
2	GPE-1	R.F. SECTION	7-21-61	

COLOR CODE DOT (RED).

$\frac{1}{4}$  - 28 THDS. MTG. BUSHING



ELECTRICAL SPECIFICATIONS

L - .40 (.39 - .41) Microhenries  
 Q - 170 or greater  
 FREQ. (Test) - 25 Mcs.  
 OPER. FREQ. - 16-32 Mcs.

MECHANICAL SPECIFICATIONS

TOTAL TURNS - 6-1/2  
 TAP - 4 turns  
 WIRE - No. 16 Buss  
 TUNING SLUG - Powdered Iron  
 FORM - Phenolic

ISSUE	ITEM	CHANGED FROM	DATE	CH. NO.	DRAFTS	CHECKER	ENG. APP.	REQ.	ITEM	PART NO.	DESCRIPTION	SYMBOL		
											THE TECHNICAL MATERIEL CORP. MAMARONECK, NEW YORK TRANSFORMER, R.F. TUNED			
										STOCK SIZE				
										MATERIAL				
TOLERANCES			SCALE: Do Not Scale (2A-3022).									W.A.F.	R. UZZO	
DEC. DIM. $\pm$ FRAC. DIM. $\pm$ $\frac{1}{64}$ ANGULAR DIM. $\pm$			MAXIMUM ALLOWABLE TOLERANCES HAVE BEEN DETERMINED AND ANY DEVIATIONS WILL BE CAUSE FOR REJECTION. REMOVE ALL BURRS AND SHARP EDGES									DRAWN	CHECKED	FINAL APPROVAL
														TT-139
												FINISH & SPEC. NO.	ELEC. DES. APP	MECH. DES. APP