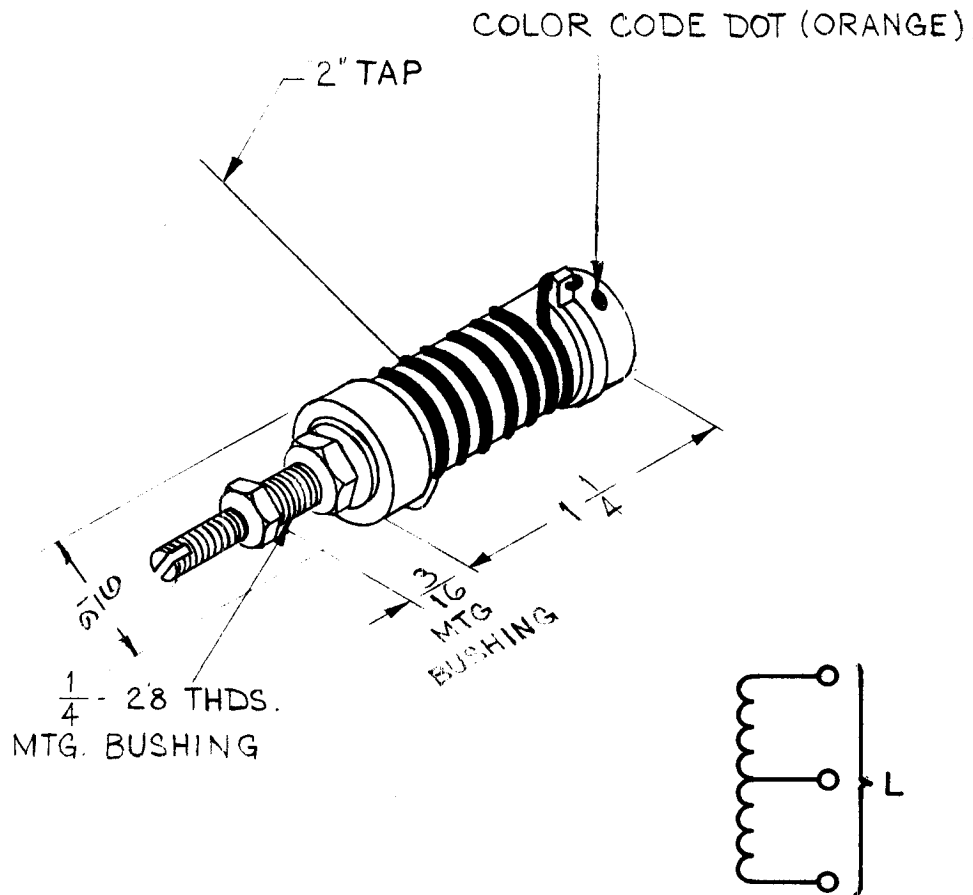


REQ. PER. UNIT	USED ON			TT-140
	MODEL	ASS'Y. NO.	DATE	
1	GPE-1	RF SECTION	7-21-61	

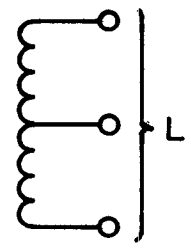


ELECTRICAL SPECIFICATIONS

L - .40 (.39-.41) Microhenries  
 Q - 170 or greater  
 FREQ. (Test) - 25 Mcs.  
 OPER. FREQ. - 16-32 Mcs.

MECHANICAL SPECIFICATIONS

TOTAL TURNS - 6-1/2  
 TAP - 1-1/2 turns  
 TUNING SLUG - Powdered Iron  
 FORM - Phenolic  
 WIRE - No. 16 Buss



ISSUE	ITEM	CHANGED FROM	DATE	CH. NO.	DRAFTS	CHECKER	ENG. APP.	REQ.	ITEM	PART NO.	DESCRIPTION	SYMBOL			
											<b>THE TECHNICAL MATERIEL CORP.</b> MAMARONECK, NEW YORK TRANSFORMER, RF TUNED				
TOLERANCES								SCALE: Do Not Scale (2A-2110)							
DEC. DIM. ± FRAC. DIM. ± 1/64 ANGULAR DIM. ±								MAXIMUM ALLOWABLE TOLERANCES HAVE BEEN DETERMINED AND ANY DEVIATIONS WILL BE CAUSE FOR REJECTION. REMOVE ALL BURRS AND SHARP EDGES							
								MATERIAL		DRAWN		CHECKED		FINAL APPROVAL	
								TYPE & TEMPER		HEAT TREAT. SPEC.		<i>MAF</i> <i>RUEZO</i> <i>H. H.</i>			
								FINISH & SPEC. NO.		ELEC. DES. APP		MECH. DES. APP		TT-140	