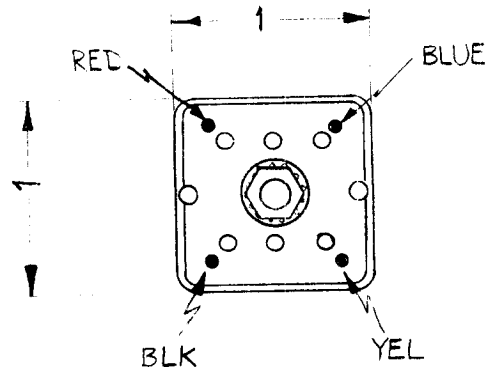
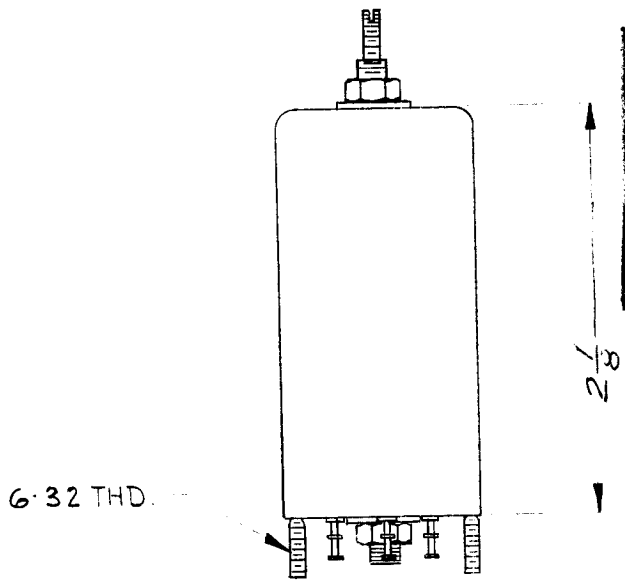


REQ. PER. UNIT	USED ON			TT-161	B
	MODEL	ASSY. NO.	DATE		

TMC PART NUMBER	MODEL	REQ.	FUNCTION	OPER. FREQ.	SYMBOL
TT161	HFI-1	1	OUTPUT TRANSF.	250KC	T6203
	SBS-1	1	OUTPUT TRANSF.	250KC	T203
		1	OUTPUT TRANSF.	250KC	T6201
TT161-2	SBS-7	1	OUTPUT TRANSF.	205KC	T6201

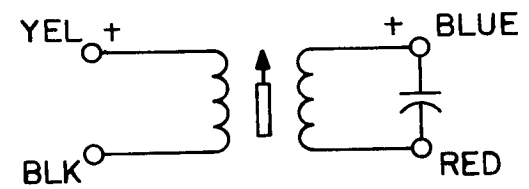


ELECTRICAL SPEC.

PRIMARY
 IND=380-400 uh
 Q= 40 OR GREATER
 FREQ= 790 KC

MECHANICAL SPEC.

CASE ~ ALUMINUM
 CASE FINISH - **CLEAR LACQUER**
 TERM. BOARD ~ PHENOLIC



SCHEMATIC DIAGRAM
 + INDICATES START OF WINDING.

REQ.	ITEM	PART NO.	M. GELLMAN	DESCRIPTION	SYMBOL		
			THE TECHNICAL MATERIEL CORP. MAMARONECK, NEW YORK				
			TRANSFORMER, IF TUNED				
B							
ELEC SPECS "Q" WAS 35-45			10/19/66	17058	WJD P.S.		
A			11/2/66		JCS		
ISSUE	ITEM	CHANGED FROM	DATE	CH. NO.	DRAFTS	CHECKER	ENG. APP.
TOLERANCES			SCALE: (2A-2157)				
DEC. DIM. ±			MAXIMUM ALLOWABLE TOLERANCES HAVE BEEN DETERMINED AND ANY DEVIATIONS WILL BE CAUSE FOR REJECTION. REMOVE ALL BURRS AND SHARP EDGES				
FRAC. DIM. ±							
ANGULAR DIM. ±							
TYPE & TEMPER		HEAT TREAT. SPEC.	DRAWN		CHECKED	FINAL APPROVAL	
FINISH & SPEC. NO.			M.G.		P.S.	TT-161	
			LEC. DES. APP		MECH. DES. APP	B	