

THE CONTENTS OF THIS DRAWING ARE THE EXCLUSIVE PROPERTY OF THE TECHNICAL MATERIEL CORP. ITS UNAUTHORIZED USE OR REPRODUCTION IN WHOLE OR IN PART IS STRICTLY FORBIDDEN.

REQ. PER UNIT	USED ON		
	MODEL	ASS'Y. NO.	DATE
1	AFC-2		12-8-61

TT-163

B

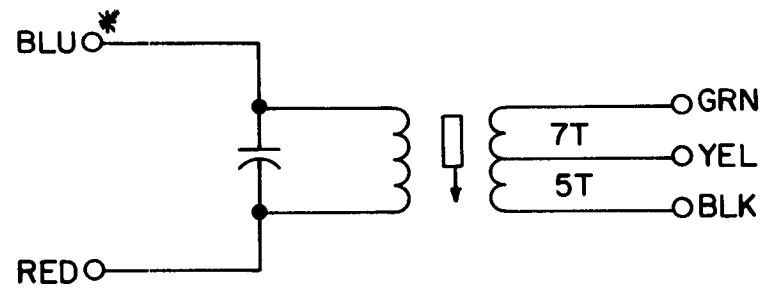
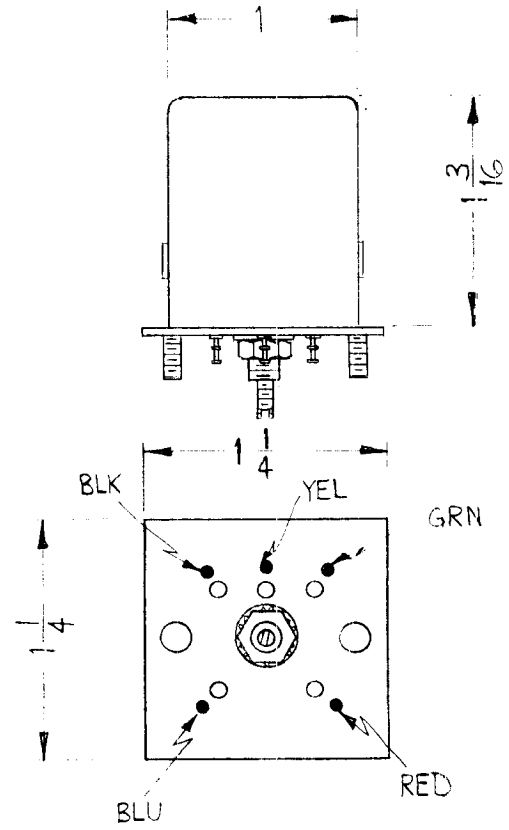
TMC PART NO.	MODEL	REQ.	FUNCTION	OPER. FREQ.	SYMBOL
TT-163	AFC-2	1		250KC	T5001
TT-163	AFC-3	1		250KC	T5001
TT-163-2	AFC-7	1		205 KC	T5001

ELECTRICAL SPEC.

PRIMARY
 IND = 400 uH ± 20 uH
 Q = 65 OR BETTER
 TEST FREQ. = 790 KC

MECHANICAL SPEC.

CASE - ALUMINUM
 CASE FINISH - S404 YEL IRIDITE
 TERM. BOARD - PHENOLIC



SCHEMATIC DIAGRAM

* INDICATES START OF WINDING.

SYM	DESCRIPTION	DATE	CH. NO.	DRAFTS	CHECKER	ENG. APP.	REQ.	ITEM	PART NO.	DESCRIPTION	SYMBOL	
B	TMC P/N COLUMN ADDED TT-163-2 ADDED	8-23/65	14704	FE	JCS					THE TECHNICAL MATERIEL CORP. MAMARONECK, NEW YORK	OUTPUT TRANSFORMER	
A	AFC-3 ADDED ELEC. SPECS. REVISED	4-5-62	6599	LL								
UNLESS OTHERWISE SPECIFIED: DIMENSIONS ARE IN INCHES. TOLERANCES ON FRAC. ± 1/64 DEC. ± .005 ANGLES ± 1/2°							SCALE: (2A-2241)					
MAXIMUM ALLOWABLE TOLERANCES HAVE BEEN DETERMINED AND ANY DEVIATIONS WILL BE CAUSE FOR REJECTION. REMOVE ALL BURRS AND SHARP EDGES							TYPE & TEMPER	HEATTREAT. SPEC.	DRAWN	CHECKED	FINAL APPROVAL	
							FINISH & SPEC. NO.	ELEC. DES. APP.	MECH. DES. APP.		TT-163	B