

THE CONTENTS OF THIS DRAWING ARE THE EXCLUSIVE PROPERTY OF THE TECHNICAL MATERIEL CORP. ITS UNAUTHORIZED USE OR REPRODUCTION IN WHOLE OR IN PART IS STRICTLY FORBIDDEN.

REQ. PER UNIT

1

MODEL
HFR-1/N

USED ON

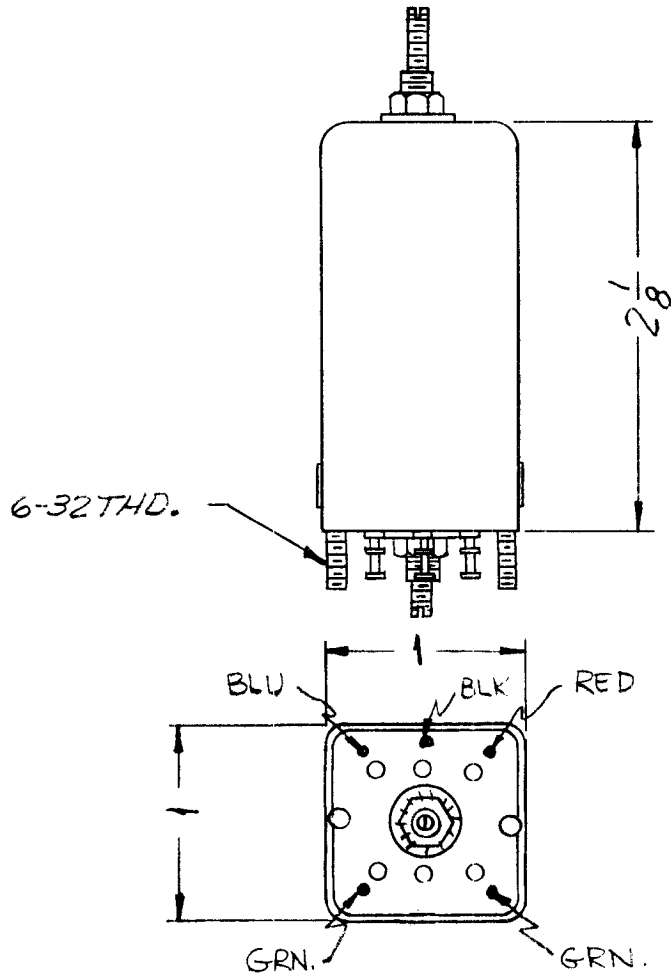
ASS'Y. NO.

DATE

12-8-61

TT-164

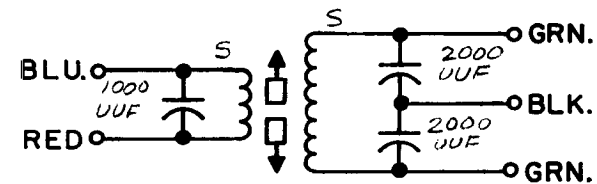
B



MODEL	REQ.	FUNCTION	OPER. FREQ.	SYMBOL
HFR-1	1	RF TRANS	1.75 MC	T1202

MECHANICAL SPEC.
CASE - ALUMINUM
FINISH
TERM. BD. - PHENOLIC

SCHEMATIC DIAGRAM



S-INDICATES START OF WINDING

REQ.	ITEM	PART NO.	DESCRIPTION			SYMBOL
			THE TECHNICAL MATERIEL CORP. MAMARONECK, NEW YORK			
			STOCK SIZE			
B	ELEC SPECS DEL.	7.15.66 16564 WAW	TRANSFORMER, RF, TUNED			
A	2.55-3.12 in. was 2.84	12/2/61 1007				
SYM	DESCRIPTION	DATE	CH. NO.	DRAFTS	CHECKER	ENG. APP.
UNLESS OTHERWISE SPECIFIED: DIMENSIONS ARE IN INCHES TOLERANCES ON FRAC. ± 1/64 DEC. ± .005 ANGLES ± 1/2°		SCALE: 2A-2257				
		MAXIMUM ALLOWABLE TOLERANCES HAVE BEEN DETERMINED AND ANY DEVIATIONS WILL BE CAUSE FOR REJECTION. REMOVE ALL BURRS AND SHARP EDGES				
		TYPE & TEMPER	HEAT TREAT. SPEC.		DRAWN	CHECKED
		FINISH & SPEC. NO.		ELEC. DES. APP.	MECH. DES. APP.	
				AB	RUFZEO	BP
						TT-164 B