

THE CONTENTS OF THIS DRAWING ARE THE EXCLUSIVE PROPERTY OF THE TECHNICAL MATERIEL CORP. ITS UNAUTHORIZED USE OR REPRODUCTION IN WHOLE OR IN PART IS STRICTLY FORBIDDEN.

REQ. PER UNIT

MODEL

USED ON

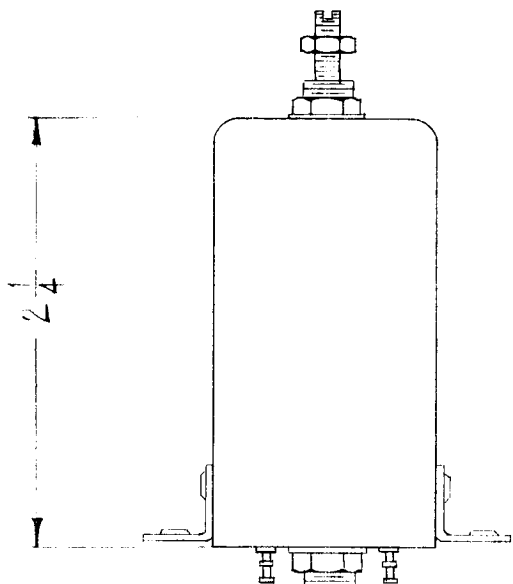
ASS'Y. NO.

DATE

1-3-62

TT-167

MODEL	REQ.	FUNCTION	OPER. FREQ.	SYMBOL
LFA-2	1	TRANSFORMER	2 MC	T3004



ELECTRICAL SPEC.

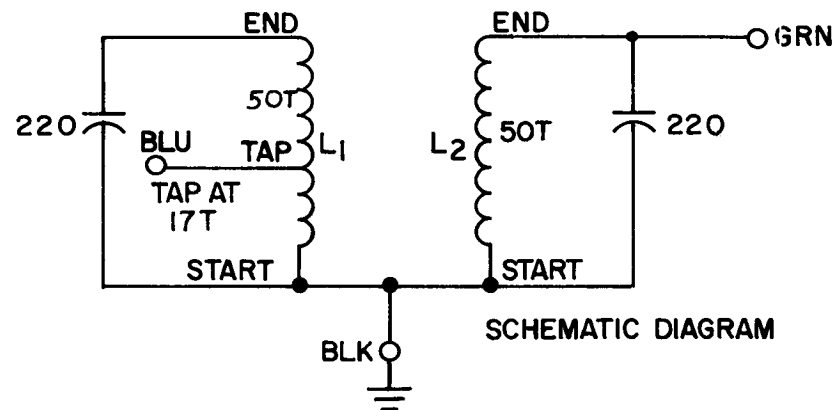
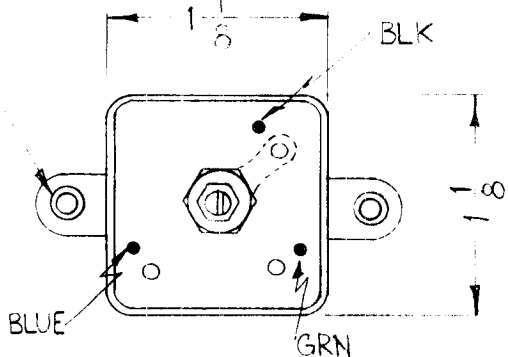
L1
 IND: 24.5 μ h \pm 1.0
 Q: 65 OR GREATER
 FREQ: 2.5 MC

L2
 IND: 24.5 μ h \pm 1.0
 Q: 65 OR GREATER
 FREQ: 2.5 MC

MECHANICAL SPEC.

CASE - ALUMINUM
 CASE FINISH - 6404 YEL. IRIDITE
 TERN. BOARD - PHENOLIC

6-32 TAPED HOLE 2REQ



SCHEMATIC DIAGRAM

REQ.	ITEM	PART NO.	DESCRIPTION				SYMBOL	
			THE TECHNICAL MATERIEL CORP. MAMARONECK, NEW YORK					
			STOCK SIZE					
			TRANSFORMER, RF TUNED					
			MATERIAL					
SYM	DESCRIPTION	DATE	CH. NO.	DRAFTS	CHECKER	ENG. APP.		
UNLESS OTHERWISE SPECIFIED: DIMENSIONS ARE IN INCHES TOLERANCES ON FRAC. \pm 1/64 DEC. \pm .005 ANGLES \pm 1/2 $^\circ$		SCALE: (2A 2261)						
MAXIMUM ALLOWABLE TOLERANCES HAVE BEEN DETERMINED AND ANY DEVIATIONS WILL BE CAUSE FOR REJECTION. REMOVE ALL BURRS AND SHARP EDGES				TYPE & TEMPER		HEAT TREAT. SPEC.		
				FINISH & SPEC. NO.		ELEC. DES. APP.	MECH. DES. APP.	
						W.D.F.	RUZZO	
						W.D.F.	RUZZO	
						TT-167		