

THE CONTENTS OF THIS DRAWING ARE THE EXCLUSIVE PROPERTY OF THE TECHNICAL MATERIEL CORP. ITS UNAUTHORIZED USE OR REPRODUCTION IN WHOLE OR IN PART IS STRICTLY FORBIDDEN.

REQ. PER UNIT	USED ON		
	MODEL	ASS'Y. NO.	DATE
			1-30-62

TT-173

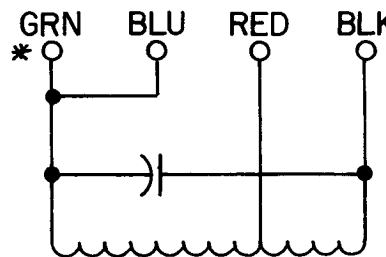
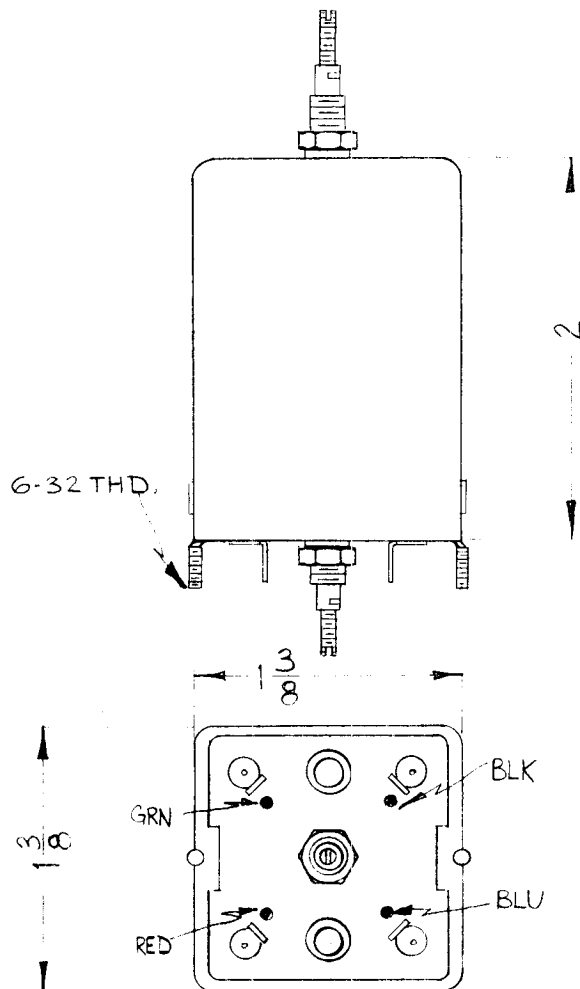
MODEL	REQ.	FUNCTION	OPER. FREQ.	SYMBOL
DVM-4	1	OSC. TRANSFORMER	350 KC	T102

ELECTRICAL SPEC.

IND = 300-330 μH  
 Q = 75 OR GREATER  
 FREQ = 790 KC

MECHANICAL SPEC.

CASE - ALUMINUM  
 CASE FINISH - S404 YEL. IRIDITE  
 TERM. BOARD - PHENOLIC



\* INDICATES START OF WINDING.

~SCHEMATIC DIAGRAM~

REQ.	ITEM	PART NO.	DESCRIPTION	SYMBOL					
			<b>THE TECHNICAL MATERIEL CORP.</b> MAMARONECK, NEW YORK						
			TRANSFORMER, RF TUNED						
			MATERIAL						
SYM	DESCRIPTION	DATE	CH. NO.	DRAFTS	CHECKER	ENG. APP.			
UNLESS OTHERWISE SPECIFIED: DIMENSIONS ARE IN INCHES TOLERANCES ON FRAC. ± 1/64 DEC. ± .005 ANGLES ± 1/2°		SCALE: Do Not Scale (2A-2353).							
		MAXIMUM ALLOWABLE TOLERANCES HAVE BEEN DETERMINED AND ANY DEVIATIONS WILL BE CAUSE FOR REJECTION. REMOVE ALL BURRS AND SHARP EDGES							
				TYPE & TEMPER		HEATTREAT. SPEC.		DRAWN	
								CHECKED	
								FINAL APPROVAL	
								TT-173	
								ELEC. DES. APP.	
								MECH. DES. APP.	