

THE CONTENTS OF THIS DRAWING ARE THE EXCLUSIVE PROPERTY OF THE TECHNICAL MATERIEL CORP. ITS UNAUTHORIZED USE OR REPRODUCTION IN WHOLE OR IN PART IS STRICTLY FORBIDDEN.

REQ. PER UNIT

1 HFR-1/C

USED ON

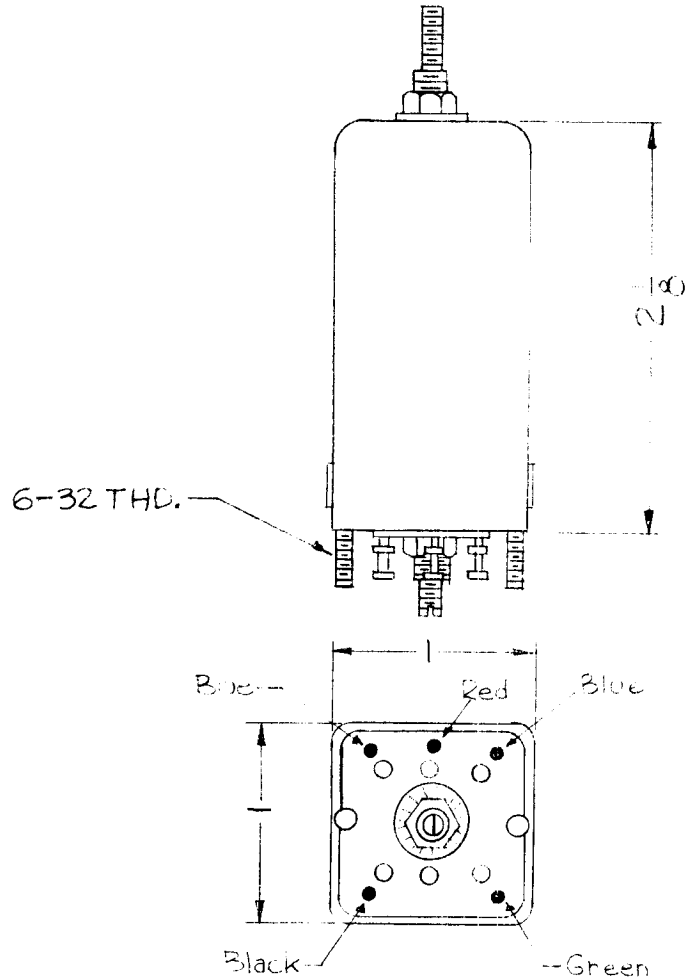
MODEL

ASS'Y. NO.

DATE

7-24-62

TT-174



MODEL	REQ.	FUNCTION	OPER. FREQ.	SYMBOL
HFR-1/C	1	RF TRANS	1.75 MC	T1301

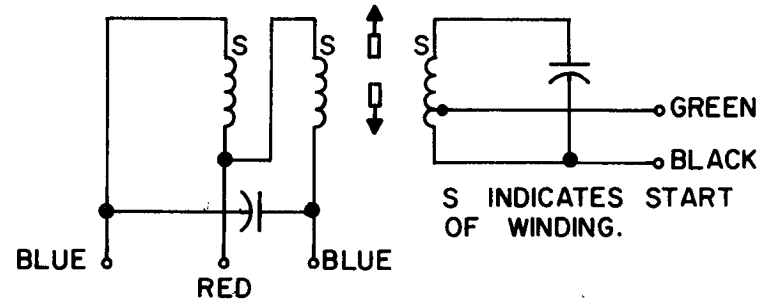
ELECTRICAL SPEC.

PRIMARY SECONDARY
 IND(μH)-8.7-9.5 11-12
 Q-85-75 70-80
 FREQ(MC)-1.75 2.5

MECHANICAL SPEC.

CASE- ALUMINUM
 FINISH-CLEAR LACQUER
 TERM.BD.- PHENOLIC

SCHEMATIC DIAGRAM



REQ.	ITEM	PART NO.	DESCRIPTION	SYMBOL								
			THE TECHNICAL MATERIEL CORP. MAMARONECK, NEW YORK									
		STOCK SIZE	TRANSFORMER, RF, TUNED (BIFILAR WOUND)									
		MATERIAL										
SYM	DESCRIPTION	DATE	CH. NO.	DRAFTS	CHECKER	ENG. APP.						
UNLESS OTHERWISE SPECIFIED: DIMENSIONS ARE IN INCHES TOLERANCES ON FRAC. ± 1/64 DEC. ± .005 ANGLES ± 1/2°		SCALE: 2A-2433		MAXIMUM ALLOWABLE TOLERANCES HAVE BEEN DETERMINED AND ANY DEVIATIONS WILL BE CAUSE FOR REJECTION. REMOVE ALL BURRS AND SHARP EDGES								
							TYPE & TEMPER	HEAT TREAT. SPEC.	DRAWN	CHECKED	FINAL APPROVAL	
												TT-174
							FINISH & SPEC. NO.		ELEC. DES. APP.	MECH. DES. APP.		