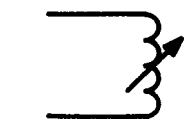
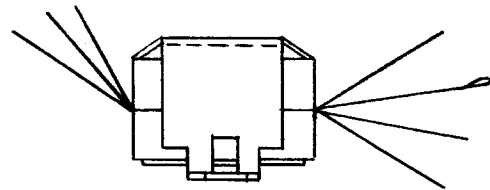
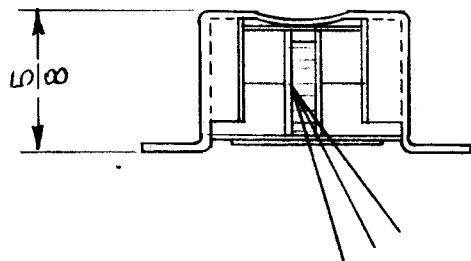
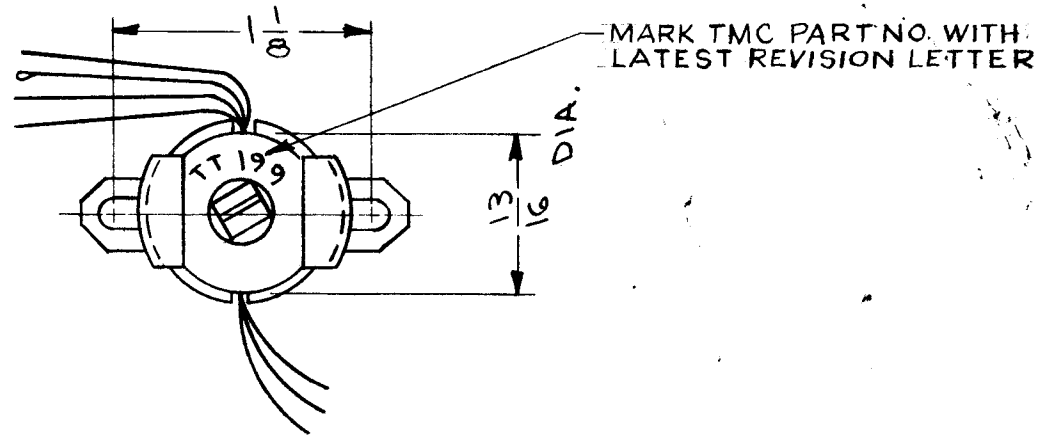


SYMBOL	FUNCTION	OPER. FREQ.	USED ON	QUAN.
T101	IF TRANSFORMER	3 KC	VLR-1	1

TT 199

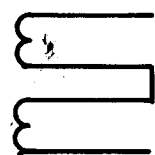
REVISIONS					
SYM	DESCRIPTION	DATE	E.M.N. NO.	DRAFT	CHKD APPD
XI	REDRAWN WITH CHANGES	12/18/63	1	G.S.	M.P.
O	ORIGINAL RELEASE FOR PRODUCTION	5-11-64	0	A.M.	
A	RED & GREEN WAS NATURAL (SEC.)	8.24.67	18469	H.G.	EFM



PRIMARY
GRN.



TERTIARY
RED



SECONDARY
RED & GREEN

SPECIFICATIONS

WINDING DATA:

WINDING NO. 1 (PRIMARY)
NOM. IND. - 26-27.5 mhy
NO. OF TURNS - 211 1/2
NO. OF TAPS - NONE

WINDING NO. 2 (TERTIARY)
NOM. IND. - 3.2 - 3.8 mhy
NO. OF TURNS - 74
NO. OF TAPS - NONE

WINDING NO. 3 (SECONDARY)
NOM. IND. - 3.2 - 3.8 mhy
NO. OF TURNS - 74
NO. OF TAPS - 1
NO. OF TURNS TAPPED - 37

COIL FORM DATA:

MATERIAL - DELRIN BOBBIN

TUNING DEVICES:

QUANTITY - 1
TYPE - ADJUSTABLE FERRITE CORE

TERMINAL DATA:

QUANTITY - 2" MINIMUM
TYPE - WIRE LEADS

REQ'D.	ITEM	PART NUMBER	DESCRIPTION	SYMBOL
--------	------	-------------	-------------	--------

GELLMAN LIST OF MATERIAL

MATERIAL: _____
FINISH: _____

THE TECHNICAL MATERIEL CORP.
MAMARONECK, NEW YORK

TITLE: TRANSFORMER, RF, TUNED

SEE CHART	SEE CHART	A 3181
Q'TY./UNIT	MODEL USED ON	ASS'Y. NO.
SCALE: _____	CODE: A	2A 3177

UNLESS OTHERWISE SPECIFIED DIMENSIONS ARE IN INCHES AND INCLUDE CHEMICALLY APPLIED OR PLATED FINISHES		DRAWN: <i>G. Juncos</i>	DATE: 12-18-63	FINAL APPROVAL: <i>KAC</i>		DATE:
DECIMALS .X ± .05 .XX ± .01 .XXX ± .005	TOLERANCES	CHECKED: <i>@</i>	DATE: 5-5-64	DATE: _____		DATE: _____
FRACTIONS ± 1/64 ANGLES ± 0° 30'		ELECT. DES: <i>WKE</i>	DATE: _____	TT 199		A
		MECH. DES: <i>WKE</i>	DATE: 5-5-64	SHEET		REV. LTR.

NOTES

THE CONTENTS OF THIS DRAWING ARE THE EXCLUSIVE PROPERTY OF THE TECHNICAL MATERIEL CORP. ITS UNAUTHORIZED USE OR REPRODUCTION IN WHOLE OR IN PART IS STRICTLY FORBIDDEN.