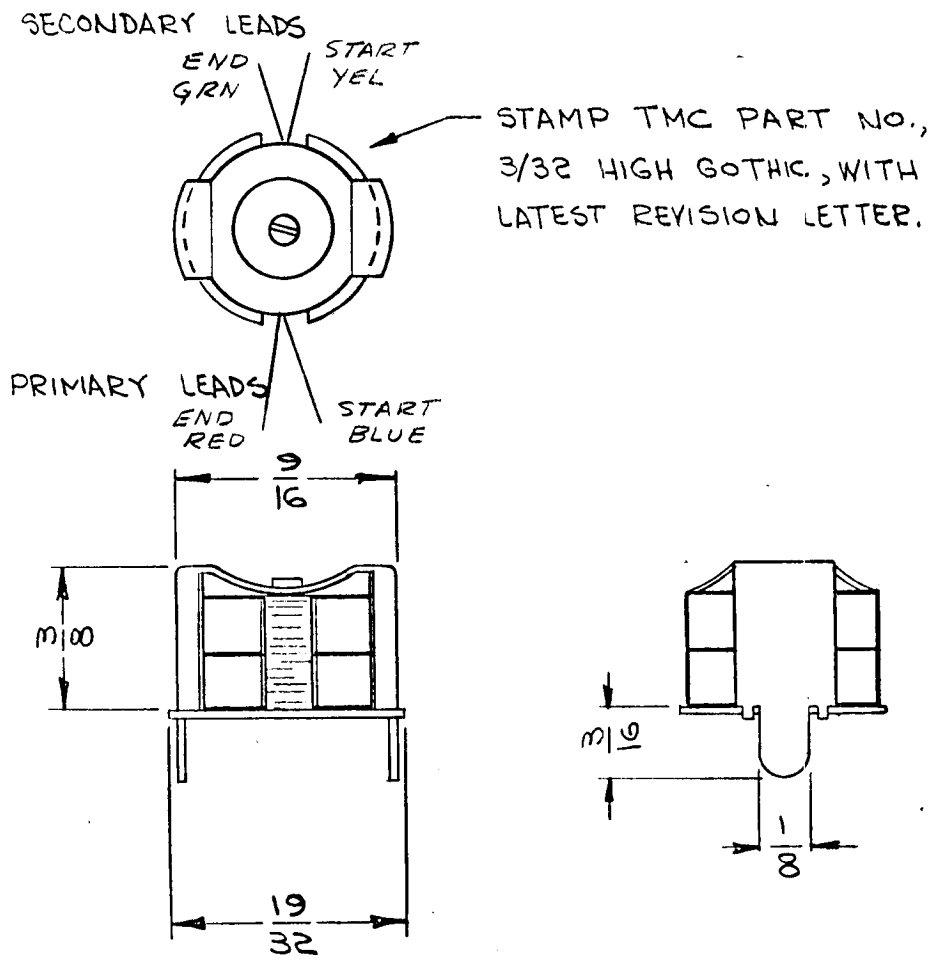


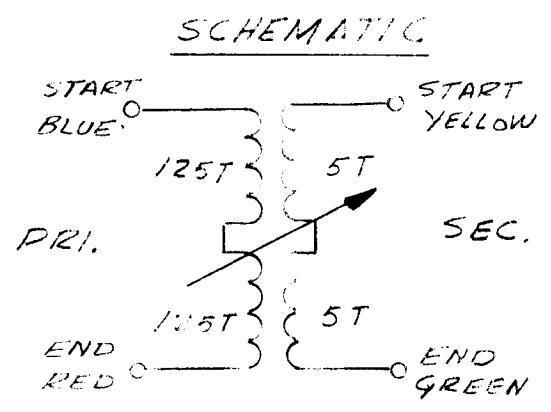
REQ. PER UNIT	USED ON			TT228	Ø
	MODEL	ASS'Y. NO.	DATE		
1	VLRB-1	A3653	11-10-64		



ELECTRICAL SPECIFICATIONS (W/SLUG)  
 OPERATING FREQUENCY:  
 INDUCATNCE @ 250 KC  
 PRIMARY: 10mH ± .1mH  
 SECONDARY: NOT RATED  
 "Q" (PRIMARY) @ 100 KC : > 280

MECHANICAL SPECIFICATIONS

URNS  
 PRIMARY: 250  
 SECONDARY: 10  
 RETAINER, BOTTOM: BRASS CAD PLATED  
 RETAINER, TOP: NICKEL SILVER H/H  
 MATERIAL:  
 CORE & SLUG: POWDERED IRON



REQ. UNIT	ITEM	PART NO.	DESCRIPTION	SYMBOL
Ø	ORIGINAL RELEASE FOR PRODUCTION	4-23-65	THE TECHNICAL MATERIEL CORP. MAMARONECK. NEW YORK	
X	EXPER. RELEASE	11-10-64	TRANSFORMER, RF, ADJUSTABLE	
SYM	DESCRIPTION	DATE	CH. NO.	DRAFTS
	UNLESS OTHERWISE SPECIFIED DIMENSIONS ARE IN INCHES AND INCLUDE CHEMICALLY APPLIED OR PLATED FINISHES	SCALE	2:1	
DECIMALS .X ± .05 .XX ± .01 .XXX ± .005	TOLERANCES	FRACTIONS ± 1/64 ANGLES ± 0° 30'	CODE A	2-A3891
			TYPE & TEMPER	HEAT TREAT. SPEC.
			FINISH & SPEC. NO.	ELEC. DES. APP. MECH. DES. APP.
			DRAWN	CHECKED
			FINAL APPROVAL	
			TT228	Ø