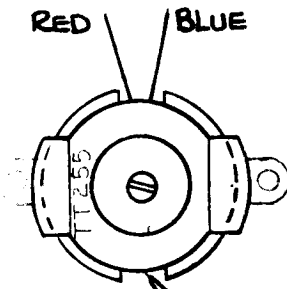
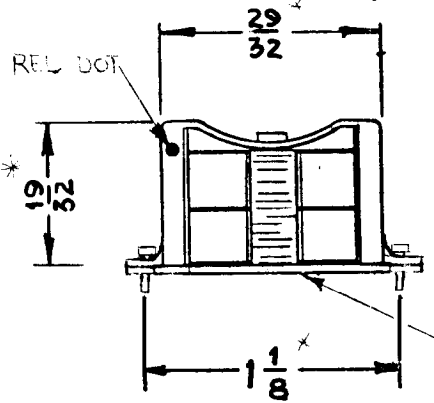


REQ. PER UNIT	USED ON			TT255	D
	MODEL	ASS'Y. NO.	DATE		
1	CMRA-1	A4218	5-11-65		

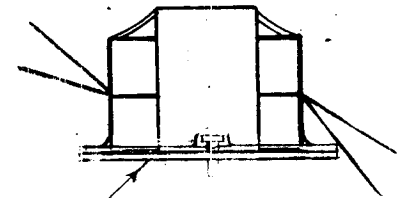
PRIMARY LEADS



SECONDARY LEADS GREEN YELLOW



\* DIM. FOR REF. ONLY

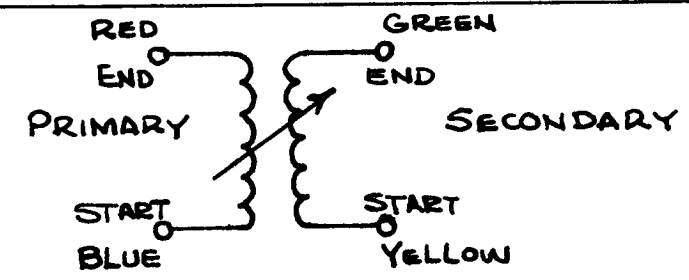


SHIPPING BRACKET REMOVE BEFORE INSTALLING

ELECTRICAL SPECIFICATIONS (w/SLUG)  
 OPERATING FREQUENCY:  
 INDUCTANCE @ 10 KC  
 PRIMARY: 50 MH ± 0.5MH  
 SECONDARY: NOT RATED  
 "Q" (PRIMARY) @ 10 KC Min. 10

MECHANICAL SPECIFICATIONS

TURNS  
 PRIMARY: 465  
 SECONDARY: 155  
 RETAINER, BOTTOM: BRASS CAD PLATED  
 RETAINER, TOP: NICKEL SILVER H/H  
 MATERIAL:  
 CORE & SLUG: FERRITE



D	SPEC'S CLARIFIED	3-22-67	17981	HLA	QOB	
C	REVISED ALL DIMS. ADDED DIM. FOR REF. NOTE.	12-9-64	17434	RME	QOB	
B	REVISED PRI. & SEC. LEAD POSITIONS	7/27/64	16935	JL	JL	
A	CHGD. POS. OF RED DOT & TAMPING MTS. WAS 215, 216, 217	3-1-66	11637	KM	QOB	
Ø	ORIG. RELEASE	5-11-65	Ø	HLA		

REQ. ITEM	PART NO.	DESCRIPTION	SYMBOL
		THE TECHNICAL MATERIEL CORP. MAMARONECK, NEW YORK	
	STOCK SIZE	TRANSFORMER, RF, ADJ.	
	MATERIAL	SYN-B-TI	
TYPE & TEMPER	HEAT TREAT. SPEC.	HLA	5/14/65
FINISH & SPEC. NO.	ELEC. DES. APP.	MECH. DES. APP.	TT255 D

UNLESS OTHERWISE SPECIFIED DIMENSIONS ARE IN INCHES AND INCLUDE CHEMICALLY APPLIED OR PLATED FINISHES		SCALE 2:1	
DECIMALS .X ± .05 .XX ± .01 .XXX ± .005	TOLERANCES	FRACTIONS ± 1/64 ANGLES ± 0° 30'	CODE A
		A4259	