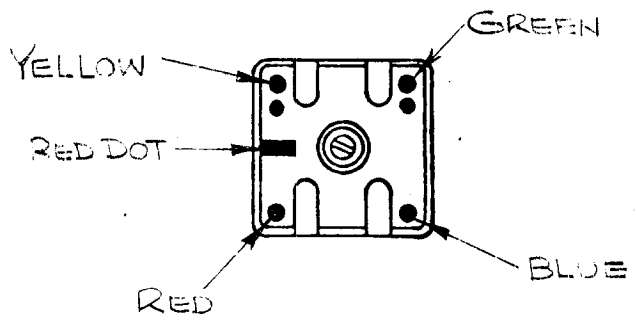
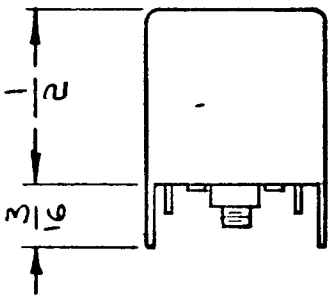
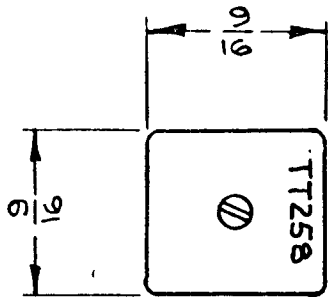


REQ. PER UNIT	USED ON			TT258	B
	MODEL	ASSY. NO.	DATE		
4	CMRA-1	A4220	5-11-65		

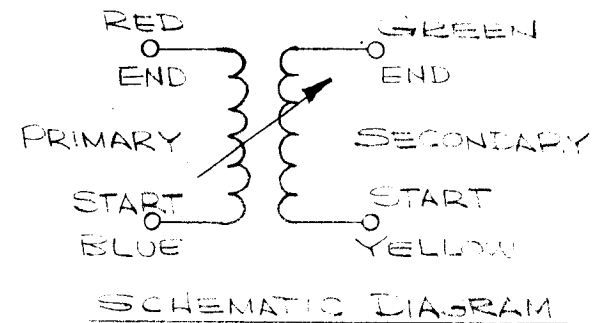


ELECTRICAL SPECS.
(W/O SLUG)

OPERATING FREQUENCY:
 INDUCTANCE @ 1.75 mc
 PRIMARY: $10\mu h \pm 1.0\mu h$
 SECONDARY: NOT RATED
 "Q" (PRIMARY) @ 1.75mc MIN. 40

MECHANICAL SPEC.

URNS
 PRIMARY: 70
 SECONDARY: 35
 COLOR CODE: RED
 CASE: COPPER CAN
 CASE FINISH: TIN-PLATED
 QUANTITY TERM: 4
 MATERIAL:
 CORE & SLUG: POWDERED IRON



B	RELOC. TT258	12-7-66	17373	RME	90/27	REQ. ITEM	PART NO.	DESCRIPTION	SYMBOL	
A	PRI. IND. WAS $\pm 0.5\mu h$	7/15/65	16575	RME	90/27			THE TECHNICAL MATERIEL CORP. MAMARONECK. NEW YORK	TRANSFORMER, RF, ADJ	
\emptyset	ORIGINAL RELEASE FOR PRODUCTION	5/14/65	X	COL						
X	EXPER. RELEASE	5-11-65	X	HLA						
SYM	DESCRIPTION	DATE	CH. NO.	DRAFTS	CHECKER	ENG. APP.	MATERIAL	IF-T1		
UNLESS OTHERWISE SPECIFIED DIMENSIONS ARE IN INCHES AND INCLUDE CHEMICALLY APPLIED OR PLATED FINISHES		SCALE						H. Austin	5/13/65	5/14/65
DECIMALS X $\pm .05$ XX $\pm .01$ XXX $\pm .005$	TOLERANCES	FRACTIONS $\pm 1/64$ ANGLES $\pm 0^\circ 30'$	CODE	2A4271				AP 5/3/65		TT258 B
						TYPE & TEMPER	HEAT TREAT. SPEC.	DRAWN	CHECKED	FINAL APPROVAL
								ELEC. DES. APP.	MECH. DES. APP.	