

IF IT IS FOUND DESIRABLE TO CHANGE ANY TOLERANCE OR OTHER DETAIL SPECIFIED ON THIS DRAWING NOTIFY THE PURCHASER PROMPTLY.

DIMENSIONS IN INCHES UNLESS OTHERWISE SPECIFIED

MAXIMUM ALLOWABLE TOLERANCES HAVE BEEN DETERMINED AND DEVIATIONS WILL BE CAUSE FOR REJECTION. REMOVE ALL BURRS AND SHARP EDGES.

REQ.	ITEM	PART NO.	DESCRIPTION	SYMBOL
------	------	----------	-------------	--------

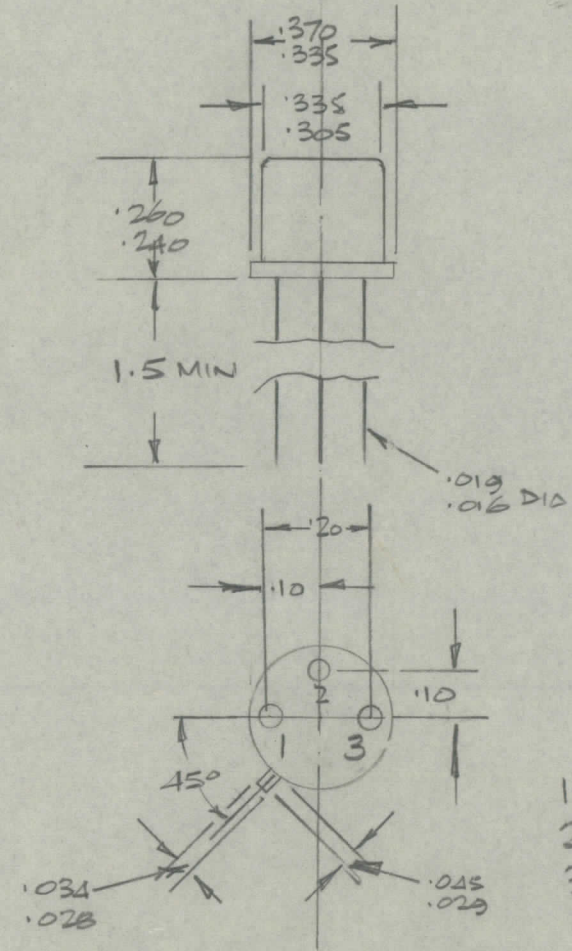
ISSUE	ITEM	CHANGED FROM	DATE	CN. NO.	DRAFTS	CHECKER	ENG. APP.
1		RELEASED TO PRODN	26/11/68		JB	JW	KaH

TX10001 Ø

CHARACTERISTIC	TEST CONDITIONS			LIMITS
	VOLTS	mA	°C	
$I_{CEO}$	$V_{CE}$ 60 60	$I_C$	$T_C$ 25 150	1 $\mu$ A MAX 250 $\mu$ A MAX
$I_{EBO}$	$V_{EB}$ 4	$I_C$	$T_C$	1 mA MAX
$V_{CEO(SUB)}$		$I_C$ 100*	$T_C$	70 V MIN.
$V_{BE}$	4	10		1 V MAX
$V_{CE(SAT)}$		150♦		1.4 V MAX
$h_{FE}$	4	10		40 - 200
$\theta_{J-C}$				35°C/W MAX
$\theta_{J-FA}$				175°C/W MAX
$f_T$	4	50		100 MHz (TYP)

\* PULSED - PULSE DURATION = 300  $\mu$  SEC  
DUTY FACTOR  $\leq$  2%

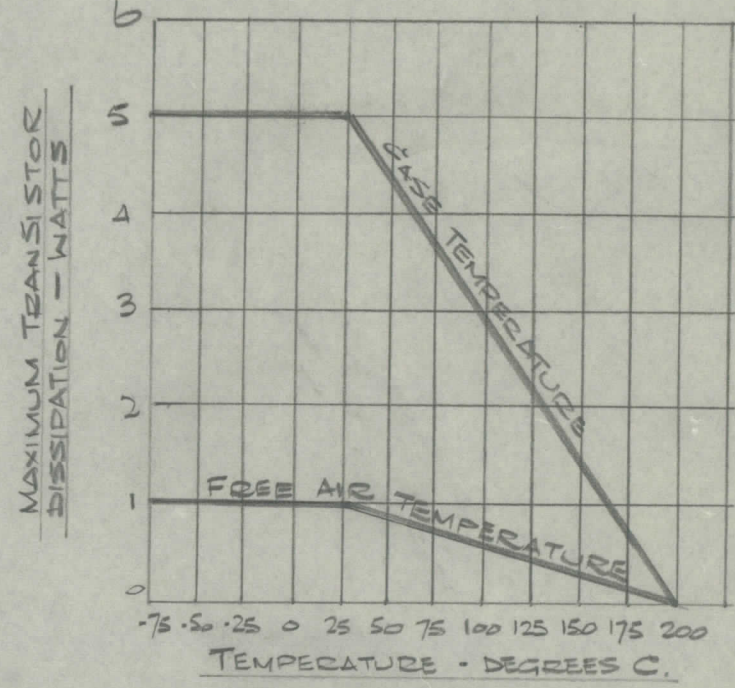
♦  $I_B = 15$  mA.



- 1 - EMITTER
- 2 - BASE
- 3 - COLLECTOR

JEDEC N° TO-18

DERATING CURVE



MANUFACTURER'S PART N° 40360  
MANUFACTURER - S401-327

TOLERANCES UNLESS OTHERWISE SPECIFIED		SCALE:
ALL OTHERS	DEC. DIM. $\pm$ 1/64 FRAC. DIM. $\pm$ 1/64 ANGULAR DIM. $\pm$ 0°30'	.X = .05 .XX = .01 .XXX = .005 DRILL, PUNCH, COMMERCIAL STOCK SIZES AND MANUFACTURERS TOLERANCES ARE NOT INCLUDED.

MODEL	PROJECT NO.	ASSY. NO.	DATE
AMC B	074/63	A10746	26 Nov. 68

STOCK SIZE		TMC (Canada) LIMITED OTTAWA ONTARIO	
MATERIAL		TRANSISTOR, SILICON, NPN	
TYPE & TEMPER		BARTLETT	KaH JW
HEAT TREAT SPEC.		DRAWN	ELEC. DES. APP. MECH. DES. APP.
FINISH & SPEC. NO.		CHECKED	FINAL APPROVAL
		TX10001 Ø	

USED ON