

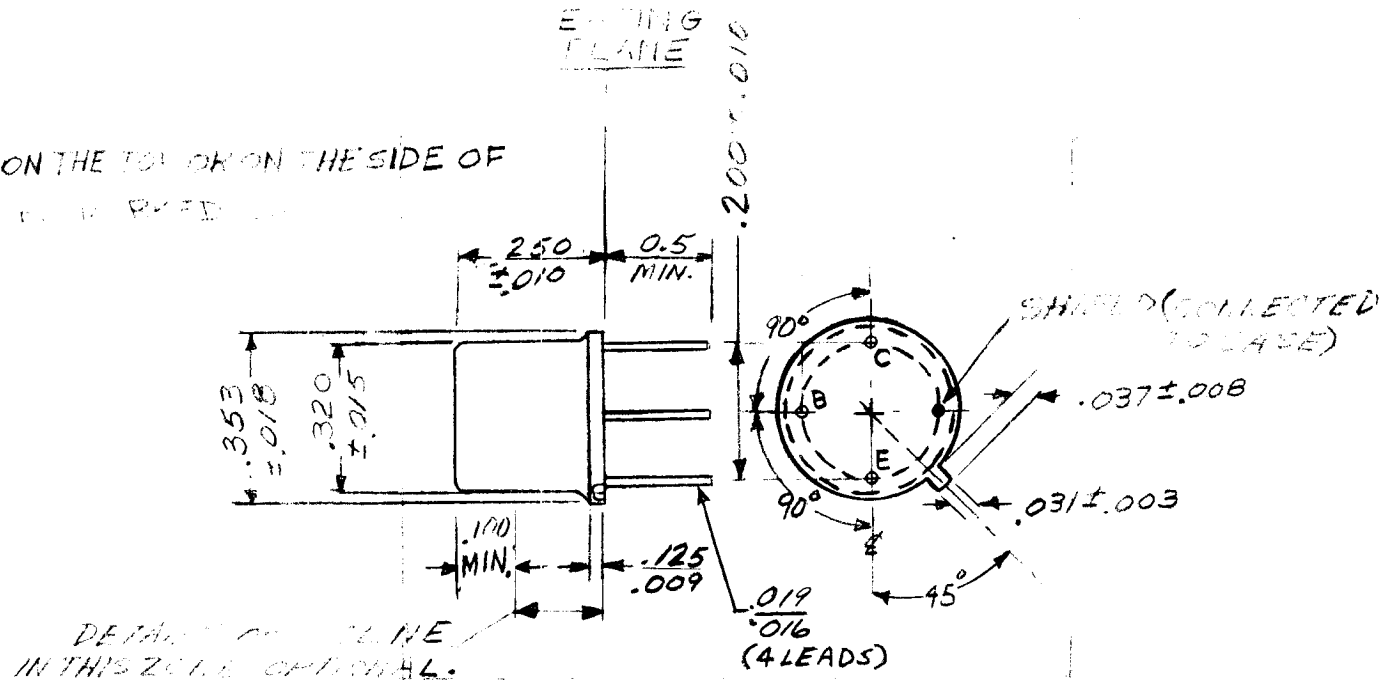
STANDARD DRAWING

REQ. PER UNIT 12	USED ON		TX109	D
	MODEL TTR-10	ASS'Y. NO.		

h_{FE} LIMITS 95 - 150
 TEST CONDITIONS
 I_E 1 Ma
 V_{CB} 6 V

TX109 IS A JEDEC TYPE 2N2495 GERMANIUM PNP TRANSISTOR WITH A CONTROLLED h_{FE}. THE CASE SHALL BE JEDEC TYPE TO12.

NOTE:
 TX109 SHALL BE MARKED ON THE TOP OR ON THE SIDE OF THE CASE, "2N2495". THIS MARKING MAY BE OMITTED.



DETAIL OF CUTTING PLANE IN THIS ZONE CRITICAL.

USE PAD
 P329-1-1-4

D	1/6 DIMENSIONS WITHIN TO12-NS TO 95	1/6/66	15533	H.V.	9017																	
C	FEEDBACK WITH CHANGE	1/1/66	15000	H.V.																		
B	COMPLETELY REVISED	10/1/65	14700	H.V.																		
A	TOP VIEW DELETED; NOTE ADDED.	4-23-65	13271	92																		
Ø	ORIGINAL RELEASE FOR PRODUCTION	10/1/65		1																		
SYM	DESCRIPTION	DATE	CH. NO.	DRAFTS	CHECKER	ENG. APP.	MATERIAL			2N2495			DRAWN			CHECKED			FINAL APPROVAL			
UNLESS OTHERWISE SPECIFIED DIMENSIONS ARE IN INCHES AND INCLUDE CHEMICALLY APPLIED OR PLATED FINISHES						SCALE			TYPE & TEMPER			HEAT TREAT. SPEC.			DRAWN			CHECKED			FINAL APPROVAL	
DECIMALS .X ± .05 .XX ± .01 .XXX ± .005		FRACTIONS ± 1/64 ANGLES ± 0° 30'		CODE C		3401-32		FINISH & SPEC. NO.			ELEC. DES. APP.			MECH. DES. APP.			TX109		D			