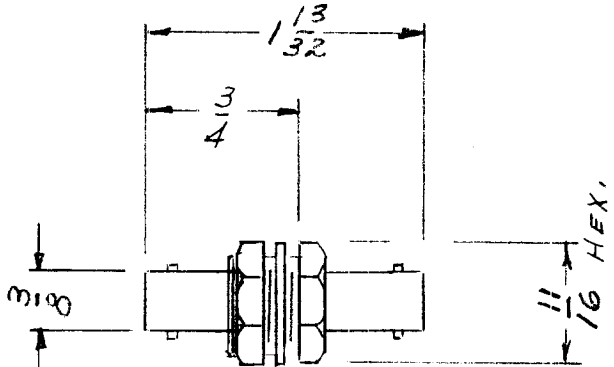


REQ. PER UNIT	USED ON			UG-492 <sup>A</sup> / <sub>U</sub>
	MODEL	ASSY. NO.	DATE	
	RTS-2			



1/2 Dia. MTG. HOLE.

ISSUE	ITEM	CHANGED FROM	DATE	CH. NO.	DRAFTS	CHECKER	ENG. APP.	REQ.	ITEM	PART NO.	DESCRIPTION	SYMBOL
											THE TECHNICAL MATERIEL CORP. MAMARONECK, NEW YORK	
											CONNECTOR, STRAIGHT	
											FEED THRU BNC SERIES	
											one [Signature]	[Signature]
											DRAWN	CHECKED
												FINAL APPROVAL
												UG-492 <sup>A</sup> / <sub>U</sub>
											ELEC. DES. APP	MECH. DES. APP