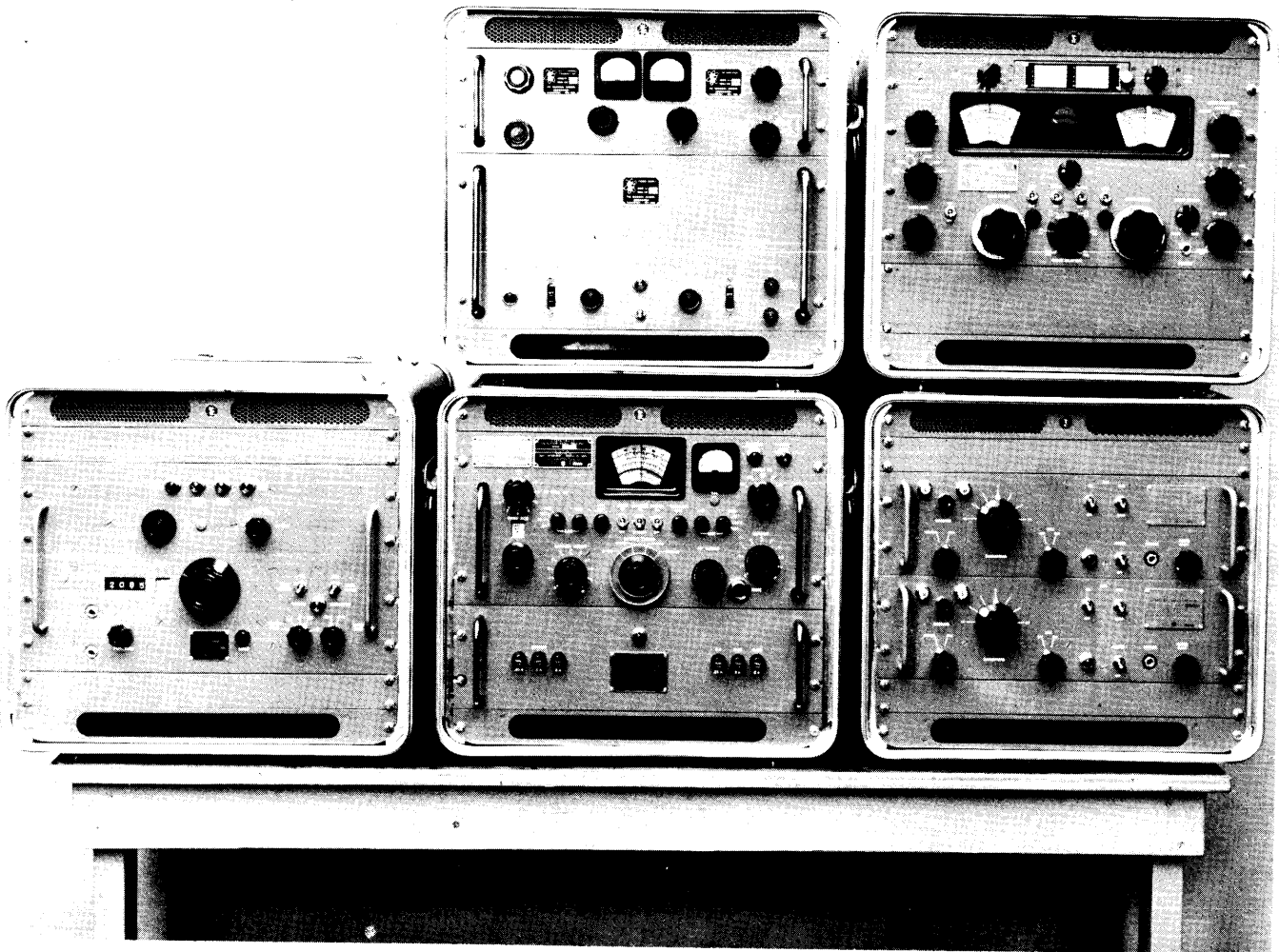


# Field Engineering Bulletin

TITLE	Low Power Fly-Away Transmit/Receive Station	BULLETIN NUMBER	8
-------	---	--------------------	---



Pictured above is a transportable 350 watt sideband transmit/receive station developed by TMC for the Tactical Air Command. The system features - stability, compactness, ease of transportation, quick set up time and simplicity of operation.

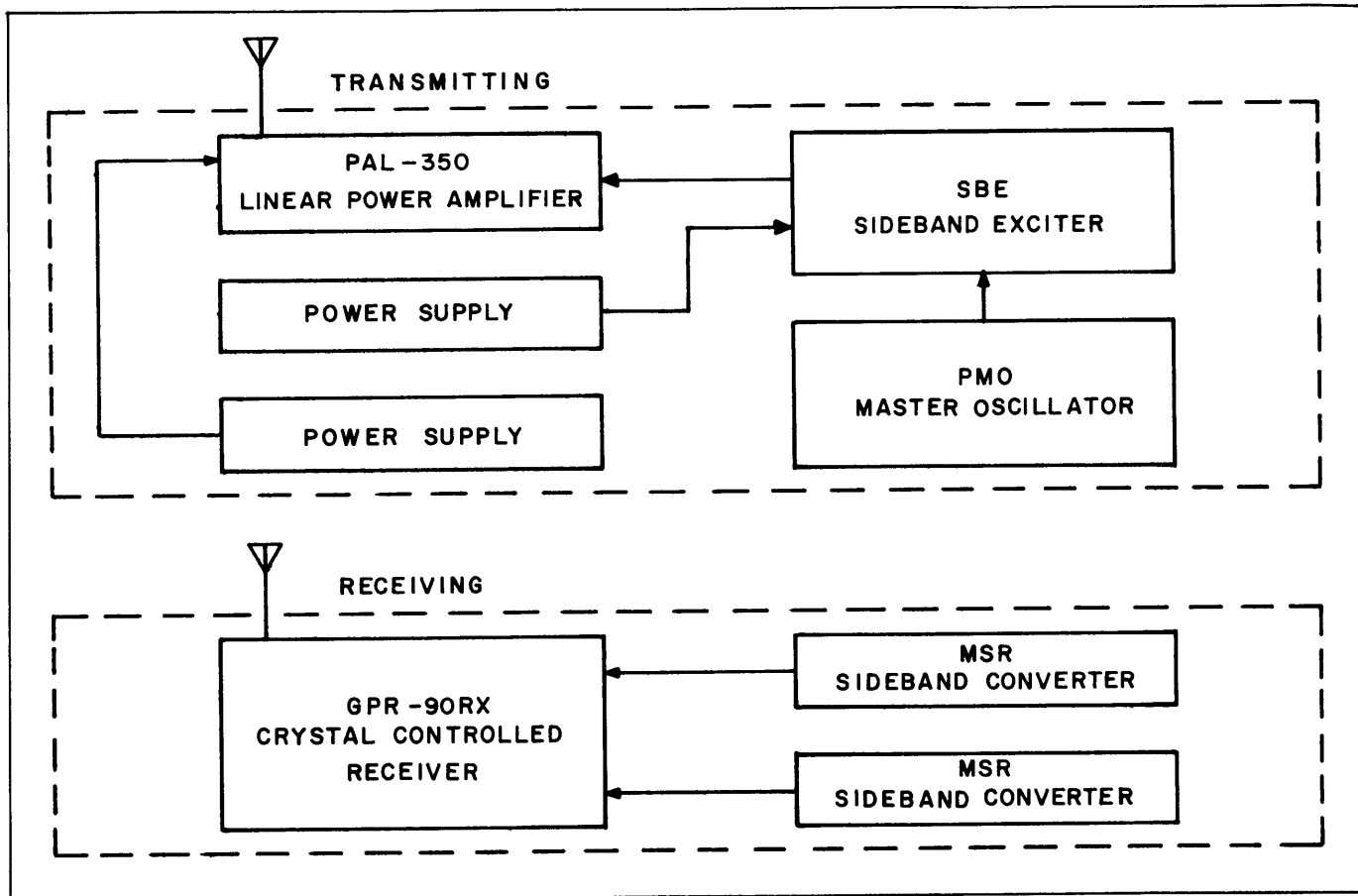
The transmitter, GPT's Model PAL-350, delivers 350 watts PEP over the frequency range of 2-32 megacycles for AM, SSB, DSB, ISB modes of operation and 200 watts key down for CW or FS. The sideband exciter is the widely used TMC Model SBE which features crystal control or control from the Master Oscillator Model PMO.

The crystal controlled receiver Model GPR-90RX is well known in both civilian and military installations as are the Models MSR, Sideband Converters used with it. Power supplies are furnished for the PAL-350 and SBE while the other components have built in power supplies.

The cases shown are specially designed metal reinforced fiberglass which has tremendous impact strength but is quite light. The case provides 14 inches of panel space, a maximum depth of 18 inches and is moisture proof. Carrying handles add to ease of movement and covers are easily removable. Special clamps at the rear of the case provide internal bracing for the equipment during transportation. The use of these cases makes possible the transportation and operation of complete communication systems with a minimum of material handling equipment and personnel and, as the units are "stackable", in a minimum of space.

We bring the above to your attention as in recent months we have had increasing demands for such portable, fly-away systems from both military and civilian users.

Our Systems Engineering Department is at your service and we await an opportunity to discuss with you your particular requirements.



Block Diagram, 350 watt Transmit/Receive Station

**THE TECHNICAL MATERIEL CORPORATION**

700 FENIMORE ROAD

MAMARONECK, NEW YORK

CABLE  
TEPEI  
MAMARONECK, N.Y.



IN CANADA:  
TMC (CANADA) LTD.  
OTTAWA, ONTARIO

COMMUNICATION ENGINEERS